

**Serie | 6, Washing machine, front loader, 9 kg, 1400 rpm
WAT2840SGB**



A+++

Washing machines with EcoSilence Drive™: enjoy supremely quiet operation and excellent durability.

- **EcoSilence Drive™:** extremely energy-efficient and quiet in operation with a 10-year warranty.
- **AllergyPlus:** specially developed for the needs of allergy sufferers and sensitive skin.
- **VarioDrum:** gentle washing thanks to a unique drum structure.
- **ActiveWater™:** reduces water consumption and costs thanks to the sensor-controlled, stepless automatic load adjustment system.
- Start delay and remaining time indication on large LED display.

Technical Data

Construction type :	Free-standing
Height of removable worktop (mm) :	848
Dimensions of the product (mm) :	848 x 598 x 590
Height for building under :	848.00
Net weight (kg) :	69.256
Connection rating (W) :	2300
Fuse protection (A) :	10
Voltage (V) :	220-240
Frequency (Hz) :	50
Approval certificates :	CE, VDE
Length of electrical supply cord (cm) :	210
Washing performance class :	A
Door hinge :	Left
Wheels :	No
EAN code :	4242005038398
Capacity cotton (kg) - NEW (2010/30/EC) :	9.0
Energy consumption annual (kWh/annum) - NEW (2010/30/EC) :	152.00
Power consumption in off-mode (W) - NEW (2010/30/EC) :	0.12
Power consumption in left-on mode (W) - NEW (2010/30/EC) :	0.43
Water consumption annual (l/annum) - NEW (2010/30/EC) :	11220
Spin drying performance class :	B
Maximum spin speed (rpm) - NEW (2010/30/EC) :	1361
Average washing time cotton 40C (partial load) - NEW (2010/30/EC) :	285
Average washing time cotton 60C (full load) (min) - NEW (2010/30/EC) :	285
Average washing time cotton 60C (partial load) - NEW (2010/30/EC) :	285
Noise level washing (dB(A) re 1 pW) :	49
Noise level spinning (dB(A) re 1 pW) :	75
Installation type :	Free-standing



Optional accessories

- WMZ2200 : Floor securing component
WMZ2381 : Extension for cold water inlet /Aquastop



Serie | 6, Washing machine, front loader, 9 kg, 1400 rpm WAT2840SGB

Washing machines with EcoSilence Drive™: enjoy supremely quiet operation and excellent durability.

Performance

- Energy Efficiency Class: A+++
- Capacity: 9 kg
- Maximum spin speed: 1400 rpm**
- B spin class
- Energy consumption :Weighted p.a. E-Consump. EU: 152 kWh kWh per year, based on 220 standard washing cycles
- -30% more economical (152kWh/year) than the standard value (217 kWh/year) of energy efficiency class A+++
- Energy consumption: standard 60 °C cotton programme 0.92 kWh full load and 0.59 kWh partial load and 40 °C cotton programme 0.41 kWh partial load
- Cottons 60 Eco and Cottons 40 Eco are the standard washing programmes to which the information in the label relates. These programmes are suitable to clean normally soiled cotton laundry and are the most efficient programmes in terms of combined energy and water consumption.
- Weighted power consumption off-mode / left-on mode: 0.12 W / 0.43 W
- Left-on Mode Duration: 0 min
- Water consumption 11220 litres per year, based on 220 standard washing cycles
- Programme time:60 °C cotton programme 285 min at full load 285 min at partial load and 40 °C cotton programme 285 min partial load
- Drum volume: 63 litres
- Noise level washing : 49dB (A) re 1pW: Noise level spinning:75dB (A) re 1 pW

Programmes/functions

- Touch control: start/pause with reload function, Reduced Ironing option, Spin speed reduction, Temperature selection, SpeedPerfect, EcoPerfect, Aqua Plus and 24 h, Ready in
- Special programmes: Easy-Care, Single Rinse, Down Wear, Dark Wash, Drum clean, Shirts, Sportswear, Mixed Load, Drain / Spin, Allergy +, Super Quick 15/30, Quiet Wash, Wool/ Handwash, Delicate / Silk
- Safeguard monitoring system adjusts load distribution and programme settings to protect clothes

Key features

- EcoBar: Information about energy consumption
- VarioPerfect: speed or energy efficiency with perfect wash performance every time
- ActiveWater: water management system
- EcoSilence drive with 10 year warranty
- AntiVibration Design - for more stability and quietness
- Reload function: Flexibility in adding laundry items into the drum, even after the wash cycle has started.

Additional features

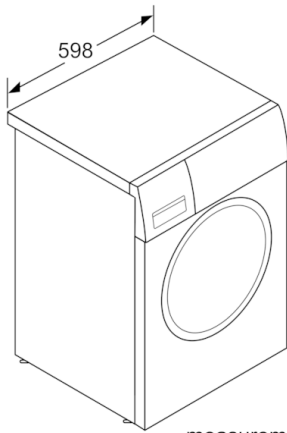
- Large LED-Display for programme status indication, temperature selection, spin speed, remaining time and 24 hours end time delay, load recommendation and consumption indication
- WaveDrum: gentle and efficient washing
- 3D AquaSpa wash system with cascade for faster water penetration
- DrumClean programme without reminder function
- Reload facility
- Detergent dispensing: easy clean
- Divider for Liquid Detergent
- Flow-through sensor for optimum water use
- Multiple Water Protection
- Continuous automatic load adjustment system
- Overdosage indication
- Foam detection system
- Child lock
- Buzzer to indicate the end of cycle

Technical Information

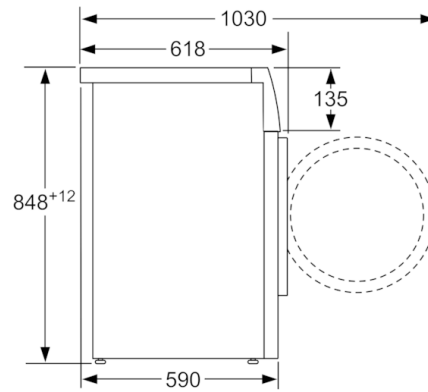
- Dimensions (H X W X D): 84.8 x 59.8 x 63.2 cm
- Slide-under installation
- Large Silver-inox, black-grey door with 171° opening and 32cm porthole opening

** Values are rounded.

**Serie | 6, Washing machine, front loader, 9
kg, 1400 rpm
WAT2840SGB**



measurements in mm



measurements in mm