

**Series 6, Washing machine, front loader, 9 kg, 1400 rpm  
WAT28371GB**



**Washing machines with EcoSilence Drive™: enjoy supremely quiet operation and excellent durability.**

- **EcoSilence Drive™:** quiet and energy-efficient drive, with a 10-year warranty.
- **AllergyPlus:** developed for allergy sufferers and people with sensitive skin.
- **VarioDrum:** gentle washing thanks to a unique drum structure.
- **ActiveWater Plus:** For highly efficient use of water even with smaller loads thanks to automatic load detection.
- **Start delay and remaining time indication on large LED display.**

**Technical Data**

Maximum capacity in kg: .....	9.0 kg
Built-in / Free-standing: .....	Freestanding
Height of removable worktop: .....	0 mm
Dimensions of the product: .....	848 x 598 x 590 mm
Net weight: .....	70.7 kg
Connection rating: .....	2300 W
Fuse protection: .....	10 A
Voltage: .....	220-240 V
Frequency: .....	50 Hz
Length electrical supply cord: .....	210.0 cm
Door hinge: .....	Left
Wheels: .....	No
EAN code: .....	4242005039500
Installation typology: .....	Free-standing



**Optional accessories**

- WMZ2381 Extension for cold water inlet /Aquastop
- WMZ2200 Floor securing component
- WMZ20490 Platform with pull-out

## Series 6, Washing machine, front loader, 9 kg, 1400 rpm WAT28371GB

### Washing machines with EcoSilence Drive™: enjoy supremely quiet operation and excellent durability.

#### Performance

- Energy Efficiency Class: A+++
- Capacity: 9 kg
- Maximum spin speed: 1400rpm\*\*
- B spin class
- Energy consumption :Weighted p.a. E-Consump. EU: 152 kWh kWh per year, based on 220 standard washing cycles
- -30% more economical (152kWh/year) than the standard value (217 kWh/year) of energy efficiency class A+++
- Energy consumption: standard 60 °C cotton programme 0.92 kWh full load and 0.59 kWh partial load and 40 °C cotton programme 0.41 kWh partial load
- Cottons 60 Eco and Cottons 40 Eco are the standard washing programmes to which the information in the label relates. These programmes are suitable to clean normally soiled cotton laundry and are the most efficient programmes in terms of combined energy and water consumption.
- Weighted power consumption off-mode / left-on mode: 0.12 W / 0.43 W
- Left-on Mode Duration: 0 min
- Water consumption 11220 litres per year, based on 220 standard washing cycles
- Programme time:60 °C cotton programme 285 min at full load 285 min at partial load and 40 °C cotton programme 285 min partial load
- Drum volume: 63 litres
- Noise level washing : 49dB (A) re 1pW: Noise level spinning:75dB (A) re 1 pW

#### Programmes/functions

- Touch buttons: start/pause with reload function, Spin speed reduction, SpeedPerfect, EcoPerfect, Aqua Plus and 24 h, Ready in
- Special programmes: 30°C, 40°C, Shirts, Sportswear, Mixed Load, Drain / Spin, Allergy +, Super Quick 15/30, Rinse, Handwash/Wool, Delicates 30°C
- Safeguard monitoring system adjusts load distribution and programme settings to protect clothes

#### Key features

- Fully electronic control dial for wash programmes, temperature and special programmes
- VarioPerfect: speed or energy efficiency with perfect wash performance every time
- ActiveWater: water management system
- EcoSilence drive with 10 year warranty
- AntiVibration Design - for more stability and quietness
- Reload function: Flexibility in adding laundry items into the drum, even after the wash cycle has started.

#### Additional features

- Large LED-Display for programme status indication, temperature selection, spin speed, remaining time and 24 hours end time delay,

- load recommendation and consumption indication
- VarioDrum: gentle and efficient washing
- 3D AquaSpa wash system with cascade for faster water penetration
- Reload facility
- Detergent dispensing: easy clean
- Divider for Liquid Detergent
- Flow-through sensor for optimum water use
- Aqua Protection
- Continuous automatic load adjustment system
- Overdosage indication
- Foam detection system
- Child lock
- Buzzer to indicate the end of cycle

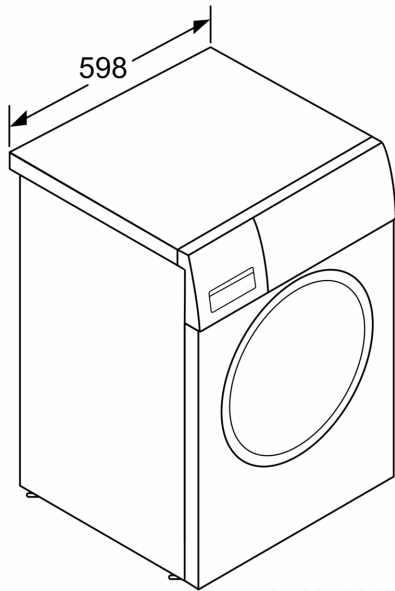
#### Technical Information

- Dimensions (H X W X D): 84.8 x 59.8 x 63.2 cm
- Slide-under installation
- Large white-black grey door with 171° opening and 32cm porthole opening

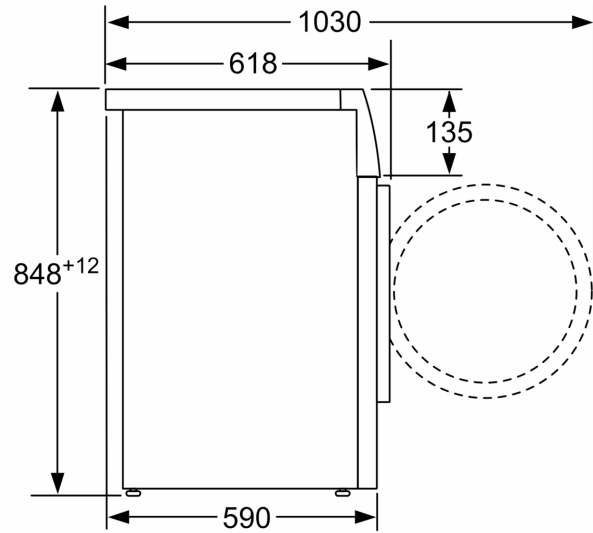
\*\* Values are rounded.

**Series 6, Washing machine, front loader, 9 kg, 1400 rpm  
WAT28371GB**

---



measurements in mm



measurements in mm