

**Series 4, Washing machine, front loader, 8 kg, 1400 rpm
WAN28280GB**



Automatic washing machine with EcoSilence Drive™: quiet operation and durability that you can rely on.

- **Eco Silence Drive™:** the efficient, highly durable washing machine motor.
- **AllergyPlus:** developed for allergy sufferers and people with sensitive skin.
- **Easy-to-use LED display with touch control and many additional functions like start delay and remaining time.**
- **Programme for gentle cleaning of dark-coloured laundry, such as jeans.**
- **Reload function: forgot an item? Add it easily to the wash.**

Technical Data

Maximum capacity in kg:	8.0 kg
Built-in / Free-standing:	Freestanding
Height of removable worktop:	-2 mm
Dimensions of the product:	848 x 598 x 550 mm
Net weight:	69.2 kg
Connection rating:	2300 W
Fuse protection:	10 A
Voltage:	220-240 V
Frequency:	50 Hz
Length electrical supply cord:	210.0 cm
Door hinge:	Left
Wheels:	No
EAN code:	4242002959313
Installation typology:	Free-standing



Optional accessories

- WMZ2200 Floor securing component
- WMZ2381 Extension for cold water inlet /Aquastop

Series 4, Washing machine, front loader, 8 kg, 1400 rpm WAN28280GB

Automatic washing machine with EcoSilence Drive™: quiet operation and durability that you can rely on.

Performance

- Energy Efficiency Class: A+++
- -10% more economical (176 kWh/year) than the standard value (196 kWh/year)
- Capacity: 8 kg
- B spin class
- Maximum spin speed: 1400rpm**
- Energy consumption :Weighted p.a. E-Consump. EU: 176 kWh kWh per year, based on 220 standard washing cycles
- Energy consumption: standard 60 °C cotton programme 0.94 kWh full load and 0.78 kWh partial load and 40 °C cotton programme 0.56 kWh partial load
- Cottons 60 Eco and Cottons 40 Eco are the standard washing programmes to which the information in the label relates. These programmes are suitable to clean normally soiled cotton laundry and are the most efficient programmes in terms of combined energy and water consumption.
- Water consumption 9900 litres per year, based on 220 standard washing cycles
- Programme time:60 °C cotton programme 200 min at full load 200 min at partial load and 40 °C cotton programme 200 min partial load
- Weighted power consumption off-mode / left-on mode: 0.12 W / 0.5 W
- Drum volume: 55 litres
- Noise level washing : 55dB (A) re 1pW: Noise level spinning:76dB (A) re 1 pW

Programmes/functions

- Fully electronic control dial for all wash and special programmes
- Touch control buttons: Reduced Ironing option, Ready in, Temperature selection, start/pause with reload function, SpeedPerfect, EcoPerfect, Aqua Plus, Spin speed reduction
- Special programmes: Down Wear, Dark Wash, Shirts, Sportswear, Curtains 30°C, Mixed Load, Allergy +, Super Quick 15/30, Drum clean with reminder, rinse/spin/drain, Wool/Handwash, Delicate/Silk programme

Key features

- VarioPerfect: speed or energy efficiency with perfect wash performance every time
- Reload function: Flexibility to add or remove laundry items of any size even after start of the wash cycle.
- EcoSilence drive with 10 year warranty
- AntiVibration Design - for more stability and quietness

Additional features

- Large display for programme progress indication, temperature, spin speed, remaining time, 24 hours end time delay and load recommendation
- 3D AquaSpa wash system with cascade for faster water penetration
- Safeguard monitoring system adjusts load distribution and

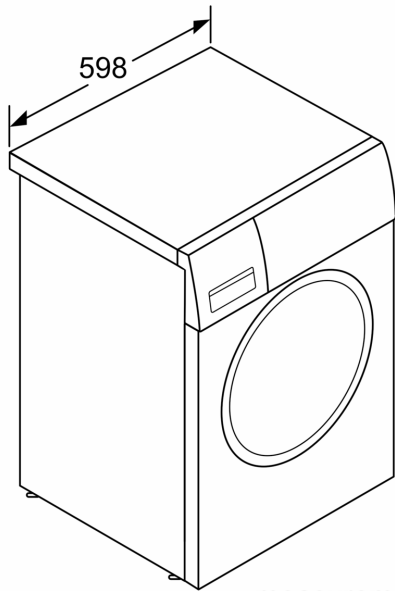
- programme settings to protect clothes
- Reload facility
- Continuous automatic load adjustment system
- Foam detection system
- Overdosage indication
- Aqua Protection
- Divider for Liquid Detergent
- Buzzer to indicate the end of cycle
- Child lock
- Metal door catch

Technical Information

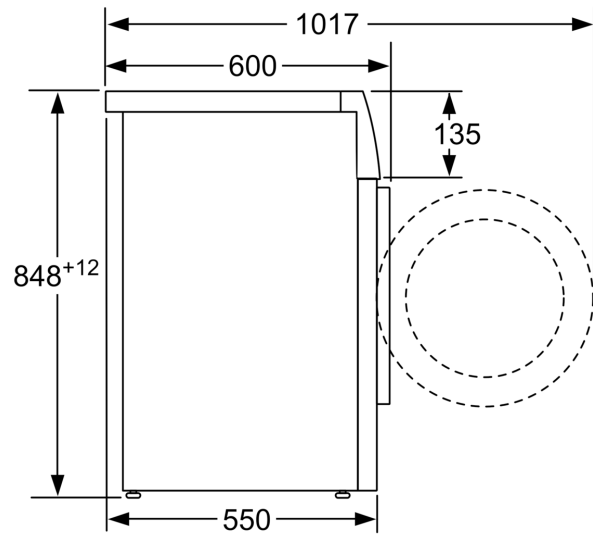
- Slide-under installation
- Dimensions (H X W X D): 84.8 x 59.8 x 60 cm
- Large Alu-Look, white door with 180° opening and 30 cm porthole

** Values are rounded.

**Series 4, Washing machine, front loader, 8 kg, 1400 rpm
WAN28280GB**



measurements in mm



measurements in mm