

**Serie | 4, Washing machine, front loader, 8 kg, 1400 rpm
WAN28201GB**



A+++

Automatic washing machine with EcoSilence Drive™: quiet operation and durability that you can rely on.

- **EcoSilence Drive™:** extremely energy-efficient and quiet in operation with a 10-year warranty.
- **AllergyPlus:** specially developed for the needs of allergy sufferers and sensitive skin.
- Easy-to-use LED display with touch control and many additional functions like start delay and remaining time.
- **Reload function:** allows you to add forgotten items of any size while washing.
- **DrumClean with reminder function:** programme for cleaning and maintaining the drum.



Technical Data

Construction type :	Free-standing
Height of removable worktop (mm) :	850
Dimensions of the product (mm) :	848 x 598 x 550
Height for building under :	850.00
Net weight (kg) :	68.398
Connection rating (W) :	2300
Current (A) :	10
Voltage (V) :	220-240
Frequency (Hz) :	50
Approval certificates :	CE, VDE
Length of electrical supply cord (cm) :	210
Washing performance class :	A
Door hinge :	Left
Wheels :	No
EAN code :	4242005032372
Capacity cotton (kg) - NEW (2010/30/EC) :	8.0
Energy consumption annual (kWh/annum) - NEW (2010/30/EC) :	176.00
Power consumption in off-mode (W) - NEW (2010/30/EC) :	0.12
Power consumption in left-on mode (W) - NEW (2010/30/EC) :	0.50
Water consumption annual (l/annum) - NEW (2010/30/EC) :	9900
Spin drying performance class :	B
Maximum spin speed (rpm) - NEW (2010/30/EC) :	1380
Average washing time cotton 40C (partial load) - NEW (2010/30/EC) :	200
Average washing time cotton 60C (full load) (min) - NEW (2010/30/EC) :	200
Average washing time cotton 60C (partial load) - NEW (2010/30/EC) :	200
Noise level washing (dB(A) re 1 pW) :	55
Noise level spinning (dB(A) re 1 pW) :	76
Installation type :	Free-standing

Optional accessories

WMZ2200 : Floor securing component

WMZ2381 : Extension for cold water inlet /Aquastop



Serie | 4, Washing machine, front loader, 8 kg, 1400 rpm WAN28201GB

Automatic washing machine with EcoSilence Drive™: quiet operation and durability that you can rely on.

Performance

- Capacity: 8 kg
- Energy Efficiency Class: A+++
- B spin class
- Maximum spin speed: 1400 rpm**
- Energy consumption :Weighted p.a. E-Consump. EU: 176 kWh kWh per year, based on 220 standard washing cycles
- Energy consumption: standard 60 °C cotton programme 0.94 kWh full load and 0.78 kWh partial load and 40 °C cotton programme 0.56 kWh partial load
- -10% more economical (176kWh/year) than the standard value (217 kWh/year) of energy efficiency class A+++
- Cottons 60 Eco and Cottons 40 Eco are the standard washing programmes to which the information in the label relates. These programmes are suitable to clean normally soiled cotton laundry and are the most efficient programmes in terms of combined energy and water consumption.
- Weighted power consumption off-mode / left-on mode: 0.12 W / 0.5 W
- Water consumption 9900 litres per year, based on 220 standard washing cycles
- Programme time:60 °C cotton programme 200 min at full load 200 min at partial load and 40 °C cotton programme 200 min partial load
- Drum volume: 55 litres
- Noise level washing : 55dB (A) re 1pW: Noise level spinning:76dB (A) re 1 pW

Programmes/functions

- Fully electronic control dial for wash programmes, temperature and special programmes
- Touch control: start/pause with reload function, Reduced Ironing option, Spin speed reduction, Temperature selection, SpeedPerfect, EcoPerfect, Aqua Plus and 24 h, Ready in
- Special programmes: Easy-Care, Dark Wash, Shirts, Sportswear, Mixed Load, Allergy +, Super Quick 15/30, Duvet, Quiet Wash, Drum clean with reminder, rinse/spin/drain, Wool/Handwash, Delicate/Silk programme
- Safeguard monitoring system adjusts load distribution and programme settings to protect clothes

Key features

- VarioPerfect: speed or energy efficiency with perfect wash performance every time
- EcoSilence drive with 10 year warranty
- AntiVibration Design - for more stability and quietness
- Reload function: Flexibility in adding laundry items into the drum, even after the wash cycle has started.

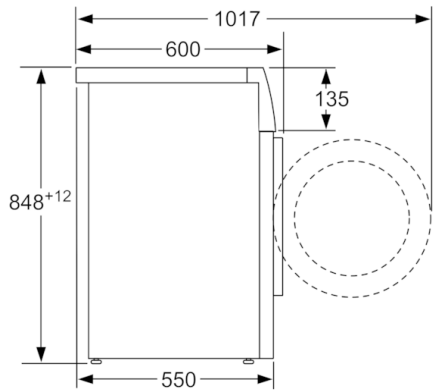
Additional features

- Large display for programme progress indication, temperature, spin speed, remaining time, 24 hours end time delay and load recommendation
- 3D AquaSpa wash system with cascade for faster water penetration
- Drum clean with reminder function
- Reload facility
- Divider for Liquid Detergent
- Multiple Water Protection
- Continuous automatic load adjustment system
- Overdosage indication
- Foam detection system
- Child lock
- Buzzer to indicate the end of cycle
- Sound insulation by additional noise reduction material

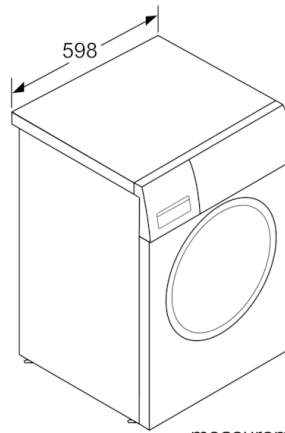
Technical Information

- Dimensions (H X W X D): 84.8 x 59.8 x 60 cm
- Slide-under installation
- Large silver-white door with 180° opening and 30 cm porthole

**Serie | 4, Washing machine, front loader, 8
kg, 1400 rpm
WAN28201GB**



measurements in mm



measurements in mm