

**Serie | 4, Washing machine, front loader, 8 kg, 1400 rpm
WAN28151GB**



Automatic washing machine with EcoSilence Drive™: quiet operation and durability that you can rely on.

- **EcoSilence Drive™:** extremely energy-efficient and quiet in operation with a 10-year warranty.
- **SpeedPerfect:** perfectly clean in up to 65% less time.
- Easy-to-use LED display with touch control and many additional functions like start delay and remaining time.
- **Dark Colours:** Programme for gentle cleaning of dark-coloured laundry, such as jeans.
- **Reload function:** allows you to add forgotten items of any size while washing.

Technical Data

Energy Efficiency Class:	C
Weighted energy consumption in kWh per 100 washing cycles of eco 40-60 programme:	63
Maximum capacity in kg:	8.0
The water consumption of the eco programme in liters per cycle:	48
Duration of eco 40-60 programme in hours and mins at rated capacity:	3:35
Spin-drying efficiency class of eco 40-60 programme:	B
Airborne acoustical noise emission class:	B
Airborne acoustical noise emissions :	74
Construction type:	Free-standing
Height of removable worktop (mm):	850
Dimensions of the product (mm):	848 x 598 x 550
Net weight (kg):	68.198
Connection rating (W):	2300
Fuse protection (A):	10
Voltage (V):	220-240
Frequency (Hz):	50
Approval certificates:	CE, E17D UKCA marking, VDE
Length of electrical supply cord (cm):	210
Door hinge:	Left
Wheels:	No
EAN code:	4242005221714
Installation type:	Free-standing



Optional accessories

- WMZ2200 : Floor securing component
WMZ2381 : Extension for cold water inlet /Aquastop



Serie | 4, Washing machine, front loader, 8 kg, 1400 rpm WAN28151GB

Automatic washing machine with EcoSilence Drive™: quiet operation and durability that you can rely on.

Performance

- ActiveWater Plus: for highly efficient use of water even with small loads thanks to automatic load detection.
- Energy Efficiency Class¹: C
- Energy² / Water³: 63 kWh / 48 litres
- Load capacity: 1 - 8 kg
- Programme duration⁴: 3:35 h:min
- Spin drying efficiency class: B
- Spin speed^{**}: 400 - 1400 rpm
- Noise level: 74 dB (A) re 1 pW
- Noise efficiency class: B

Programmes/functions

- Touch control buttons: Prewash, Rinse Plus, Ready in, Temperature selection, SpeedPerfect, start/pause with reload function, Spin speed reduction
- Standard programmes: cottons, easy care, delicates, wool hand wash
- Special programmes: Rinse, Down Wear, Dark Wash, Shirts, Sportswear, Curtains 30°C, Mixed Load, Super Quick 15/30, Wool/Handwash, Delicate/Silk programme
- Safeguard monitoring system adjusts load distribution and programme settings to protect clothes

Key features

- Fully electronic control dial for all wash and special programmes
- SpeedPerfect: perfectly clean in up to 65% less time.
- Reload function: Be flexible in adding laundry items even after start of the wash cycle.
- EcoSilence drive with 10 year warranty
- AntiVibration Design - for more stability and quietness

Additional features

- Large display for programme progress indication, spin speed, remaining time, 24 hour end time delay and load recommendation.
- Multiple Water Protection
- Foam detection system
- Divider for Liquid Detergent
- Child lock
- Buzzer to indicate the end of cycle

Technical Information

- Slide-under installation
- Large silver-white door with 180° opening
- Drum volume: 55 litres
- Dimensions (H x W): 84.8 cm x 59.8 cm
- Appliance depth: 55.0 cm
- Appliance depth incl. door: 60.0 cm
- Appliance depth with open door: 101.7 cm

¹ Scale of Energy Efficiency Classes from A to G

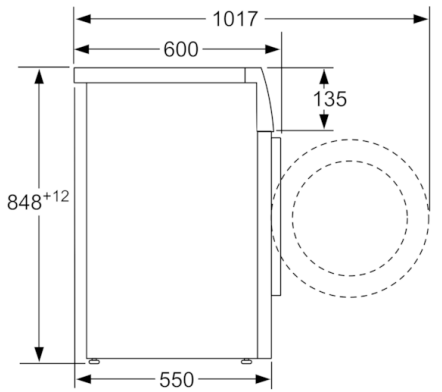
² Energy consumption in kWh per 100 cycles (in programme Eco 40-60)

³ Weighted water consumption in litres per cycle (in programme Eco 40-60)

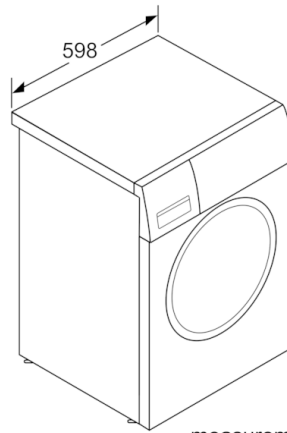
⁴ Duration of Eco 40-60 programme

^{**} Values are rounded.

**Serie | 4, Washing machine, front loader, 8
kg, 1400 rpm
WAN28151GB**



measurements in mm



measurements in mm