

**Series 4, Washing machine, front loader, 7 kg, 1400 rpm  
WAN28100GB**



**Automatic washing machine with EcoSilence Drive™: quiet operation and durability that you can rely on.**

- **EcoSilence Drive™:** quiet and energy-efficient drive, with a 10-year warranty.
- **AllergyPlus:** developed for allergy sufferers and people with sensitive skin.
- **Easy-to-use LED display with touch control and many additional functions like start delay and remaining time.**
- **Programme for gentle cleaning of dark-coloured laundry, such as jeans.**
- **Reload function: forgot an item? Add it easily to the wash.**

**Technical Data**

Maximum capacity in kg: .....	7.0 kg
Built-in / Free-standing: .....	Freestanding
Height of removable worktop: .....	-2 mm
Dimensions of the product: .....	848 x 598 x 550 mm
Net weight: .....	67.4 kg
Connection rating: .....	2300 W
Fuse protection: .....	10 A
Voltage: .....	220-240 V
Frequency: .....	50 Hz
Length electrical supply cord: .....	210.0 cm
Door hinge: .....	Left
Wheels: .....	No
EAN code: .....	4242002938240
Installation typology: .....	Free-standing



**Optional accessories**

- WMZ2200 Floor securing component
- WMZ2381 Extension for cold water inlet /Aquastop

## Series 4, Washing machine, front loader, 7 kg, 1400 rpm WAN28100GB

### Automatic washing machine with EcoSilence Drive™: quiet operation and durability that you can rely on.

#### Performance

- Energy Efficiency Class: A+++
- -10% more economical (157kWh/year) than the standard value (174 kWh/year) of energy efficiency class A+++ in category 7 kg according to the EU-order 1061/2010
- Capacity: 7 kg
- Maximum spin speed: 1400rpm\*\*
- B spin class
- Energy consumption :Weighted p.a. E-Consump. EU: 157 kWh kWh per year, based on 220 standard washing cycles
- Energy consumption: standard 60 °C cotton programme 0.84 kWh full load and 0.68 kWh partial load and 40 °C cotton programme 0.51 kWh partial load
- Cottons 60 Eco and Cottons 40 Eco are the standard washing programmes to which the information in the label relates. These programmes are suitable to clean normally soiled cotton laundry and are the most efficient programmes in terms of combined energy and water consumption.
- Weighted power consumption off-mode / left-on mode: 0.12 W / 0.5 W
- Water consumption 9020 litres per year, based on 220 standard washing cycles
- Programme time:60 °C cotton programme 200 min at full load 200 min at partial load and 40 °C cotton programme 200 min partial load
- Drum volume: 55 litres
- Noise level washing : 54dB (A) re 1pW: Noise level spinning:75dB (A) re 1 pW

#### Programmes/functions

- Fully electronic control dial for all wash and special programmes
- Touch control buttons: Ready in, Temperature selection, start/pause with reload function, SpeedPerfect, EcoPerfect, Aqua Plus, Spin speed reduction
- Special programmes: Dark Wash, Shirts, Sportswear, Mixed Load, Allergy +, Super Quick 15/30, Duvet, Quiet Wash, Drum clean with reminder, rinse/spin/drain, Handwash/Wool, Delicate/Silk programme
- Safeguard monitoring system adjusts load distribution and programme settings to protect clothes

#### Key features

- VarioPerfect: speed or energy efficiency with perfect wash performance every time
- EcoSilence drive with 10 year warranty
- AntiVibration Design - for more stability and quietness

#### Additional features

- Large display for programme progress indication, temperature, spin speed, remaining time, 24 hours end time delay and load recommendation
- 3D AquaSpa wash system with cascade for faster water penetration

- Reload facility
- Overdosage indication
- Buzzer to indicate the end of cycle
- Metal door catch
- Child lock
- Aqua Protection

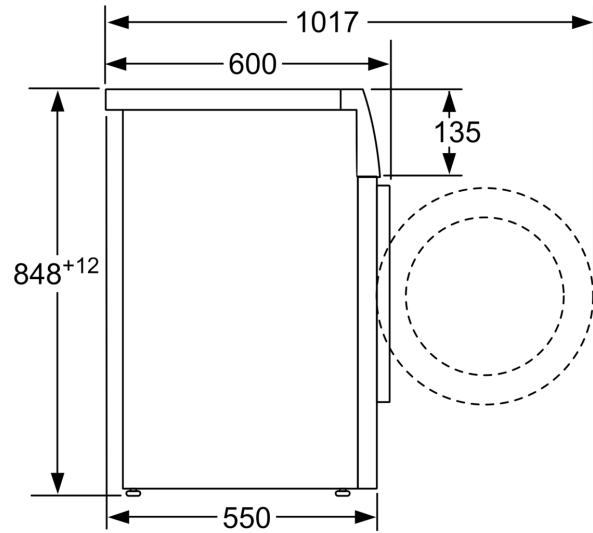
#### Technical Information

- Slide-under installation
- Dimensions (H X W X D): 84.8 x 59.8 x 60 cm
- Large silver-white door with 180° opening and 30 cm porthole

**Series 4, Washing machine, front loader, 7 kg, 1400 rpm  
WAN28100GB**



measurements in mm



measurements in mm