

**Series 4, Washing machine, front loader, 7 kg, 1400 rpm  
WAN28080GB**



**Automatic washing machine with EcoSilence Drive™: quiet operation and durability that you can rely on.**

- **EcoSilence Drive™:** quiet and energy-efficient drive, with a 10-year warranty.
- **Easy-to-use LED display with touch control and many additional functions like start delay and remaining time.**
- **Reload function:** forgot an item? Add it easily to the wash.
- **Anti Vibration™ design:** extremely stable and especially quiet, thanks to special vibration protection.
- **VarioPerfect™:** takes up to 65% less time or uses up to 50% less energy – by simply selecting SpeedPerfect or EcoPerfect functions.



**Technical Data**

Maximum capacity in kg: .....	7.0 kg
Installation type: .....	Freestanding
Height of removable worktop: .....	-2 mm
Dimensions of the product: .....	848 x 598 x 550 mm
Net weight: .....	68.6 kg
Connection rating: .....	2300 W
Fuse protection: .....	10 A
Voltage: .....	220-240 V
Frequency: .....	50 Hz
Length of electrical supply cord: .....	210.0 cm
Door hinge: .....	Left
Wheels: .....	No
EAN code: .....	4242002959009
Installation type: .....	Free-standing



**Optional accessories**

- WMZ2200 Floor securing component
- WMZ2381 Extension for cold water inlet /Aquastop

## Series 4, Washing machine, front loader, 7 kg, 1400 rpm WAN28080GB

### Automatic washing machine with EcoSilence Drive™: quiet operation and durability that you can rely on.

#### Performance

- Capacity: 7 kg
- Energy Efficiency Class: A+++
- Maximum spin speed: 1400rpm\*\*
- B spin class
- Energy consumption :Weighted p.a. E-Consump. EU: 157 kWh kWh per year, based on 220 standard washing cycles
- -10% more economical (157kWh/year) than the standard value (174 kWh/year) of energy efficiency class A+++ in category 7 kg according to the EU-order 1061/2010
- Energy consumption: standard 60 °C cotton programme 0.84 kWh full load and 0.68 kWh partial load and 40 °C cotton programme 0.51 kWh partial load
- Cottons 60 Eco and Cottons 40 Eco are the standard washing programmes to which the information in the label relates. These programmes are suitable to clean normally soiled cotton laundry and are the most efficient programmes in terms of combined energy and water consumption.
- Water consumption 9020 litres per year, based on 220 standard washing cycles
- Programme time:60 °C cotton programme 200 min at full load 200 min at partial load and 40 °C cotton programme 200 min partial load
- Weighted power consumption off-mode / left-on mode: 0.12 W / 0.5 W
- Drum volume: 55 litres
- Noise level washing : 54dB (A) re 1pW: Noise level spinning:75dB (A) re 1 pW

#### Programmes/functions

- Fully electronic control dial for all wash and special programmes
- Touch control buttons: Ready in, start/pause with reload function, SpeedPerfect, EcoPerfect, Spin speed reduction
- Special programmes: Rinse, Mixed Load, Super Quick 15/30, Handwash/Wool, Delicates 30°C

#### Key features

- VarioPerfect: speed or energy efficiency with perfect wash performance every time
- EcoSilence drive with 10 year warranty
- AntiVibration Design - for more stability and quietness

#### Additional features

- Large display for programme progress indication, spin speed, remaining time, 24 hour end time delay and load recommendation.
- 3D AquaSpa wash system with cascade for faster water penetration
- Safeguard monitoring system adjusts load distribution and programme settings to protect clothes
- Reload facility
- Foam detection system
- Aqua Protection
- Continuous automatic load adjustment system

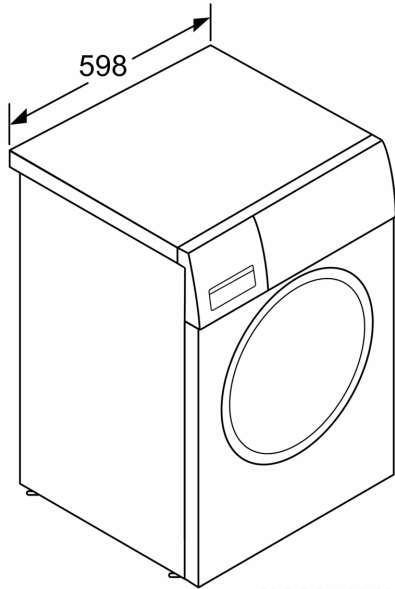
- Divider for Liquid Detergent
- Child lock
- Buzzer to indicate the end of cycle
- Metal door catch
- No

#### Technical Information

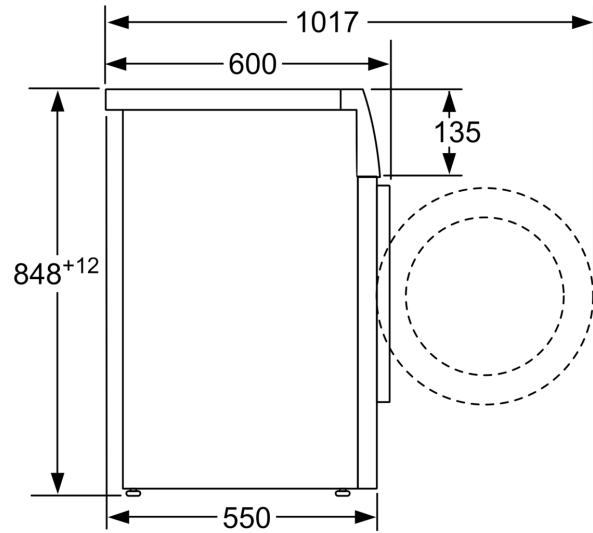
- Slide-under installation
- Dimensions (H X W X D): 84.8 x 59.8 x 60 cm
- Large Alu-Look, white door with 180° opening and 30 cm porthole

\*\* Values are rounded.

**Series 4, Washing machine, front loader, 7 kg, 1400 rpm  
WAN28080GB**



measurements in mm



measurements in mm