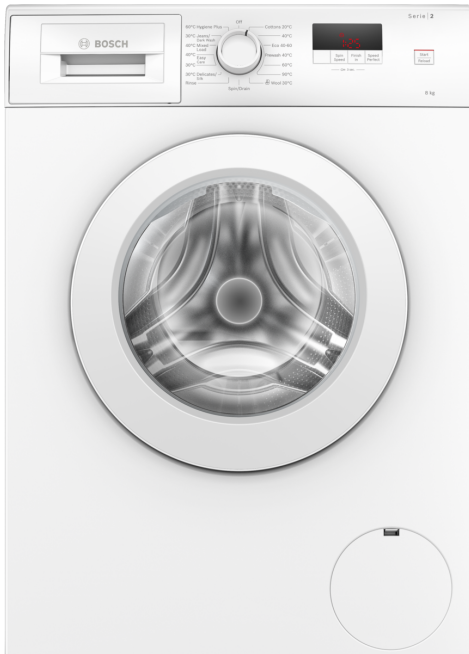


**Series 2, Washing machine, front loader, 8 kg, 1400 rpm
WAJ28002GB**



Quiet and efficient washing machine with EcoSilence Drive and with ActiveWater.

- **ActiveWater Plus:** For highly efficient use of water even with smaller loads thanks to automatic load detection.
- **Speed Perfect:** get the perfect clean in up to 65% less time.
- **Reload function:** forgot an item? Add it easily to the wash.
- **Eco Silence Drive™:** the efficient, highly durable washing machine motor.
- **Hygiene Plus:** hygienic washing, effectively killing germs even at 40°.

Technical Data

Energy Efficiency Class:C
 Weighted energy consumption in kWh per 100 washing cycles of eco 40-60 programme: 62 kWh
 Maximum capacity in kg: 8.0 kg
 The water consumption of the eco programme in liters per cycle: 47 l
 Duration of eco 40-60 programme in hours and mins at rated capacity: 3:26 h
 Spin-drying efficiency class of eco 40-60 programme: B
 Airborne acoustical noise emission class: B
 Airborne acoustical noise emissions : 75 dB(A) re 1 pW
 Built-in / Free-standing: Freestanding
 Dimensions of the product: 848 x 598 x 546 mm
 Net weight: 67.8 kg
 Connection rating: 2300 W
 Fuse protection: 10 A
 Voltage: 220-240 V
 Frequency: 50 Hz
 Length electrical supply cord: 210.0 cm
 Door hinge: Left
 Wheels: No
 EAN code: 4242005389155
 Installation typology: Free-standing

Optional accessories

- WMZ2200 Floor securing component
- WMZ2381 Extension for cold water inlet /Aquastop
- WMZPW20W Platform with pull-out, washer, cubic



Series 2, Washing machine, front loader, 8 kg, 1400 rpm WAJ28002GB

Quiet and efficient washing machine with EcoSilence Drive and with ActiveWater.

Performance

- Energy Efficiency Class¹: C
- Energy² / Water³: 62 kWh / 47 litres
- Load capacity: 1 - 8 kg
- Programme duration⁴: 3:26 h:min
- Spin drying efficiency class: B
- Spin speed^{**}: 0 - 1400 rpm
- Noise level: 75 dB (A) re 1 pW
- Noise efficiency class: B

Programmes/functions

- Standard programmes: cottons, easy care, delicates, wool hand wash
- Special programmes: jeans/dark laundry, Drain / Spin, Mixed Load, Single Rinse, Hygiene

Key features

- SpeedPerfect: perfectly clean in up to 65% less time. ***
- Touch control buttons: Ready in, start/pause with reload function, SpeedPerfect, Spin speed reduction/Rinse Hold

Additional features

- Reload function: Flexibility to add or remove laundry items of any size even after start of the wash cycle.
- Display for programme progress indication, spin speed, remaining time, 24 h end time delay and load recommendation
- Usage meter: counts completed programmes
- Fully electronic control dial for all wash and special programmes
- Drum volume: 55 litres
- Large white door with 140° opening and 30 cm porthole
- Metal door catch
- Reload function: Flexibility in adding laundry items into the drum, even after the wash cycle has started.
- EcoSilence drive with 10 year warranty
- ActiveWater Plus: for highly efficient use of water even with smaller loads thanks to automatic load detection.
- AntiVibration Design - for more stability and quietness
- Aqua Protection
- soft dial
- Foam detection system
- Safeguard monitoring system adjusts load distribution and programme settings to protect clothes
- Child lock
- Acoustic signals: Buzzer
- Detergent dispensing: easy clean

Technical Information

- Slide-under installation
- Not stackable. Not compatible with stacking kit.
- Dimensions (H x W): 84.8 cm x 59.8 cm
- Appliance depth: 54.6 cm
- Appliance depth incl. door: 58.4 cm
- Appliance depth with open door: 95.6 cm

¹ Scale of Energy Efficiency Classes from A to G

² Energy consumption in kWh per 100 cycles (in programme Eco 40-60)

³ Weighted water consumption in litres per cycle (in programme Eco

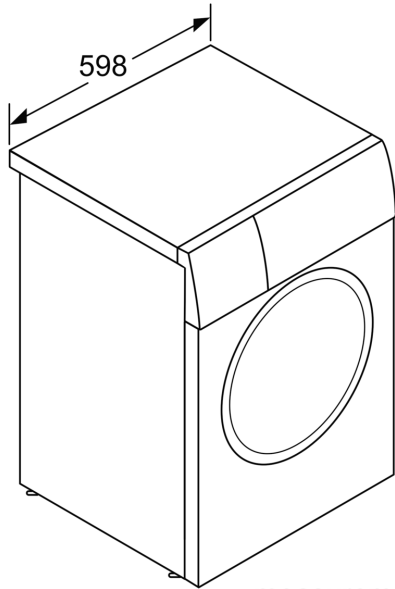
40-60)

⁴ Duration of Eco 40-60 programme

** Values are rounded.

*** Comparison between the program duration of Easy-care 40°C and the program duration of Easy-care 40°C + activated Speed option

**Series 2, Washing machine, front
loader, 8 kg, 1400 rpm
WAJ28002GB**



measurements in mm

