

**Serie | 2, Fully-integrated dishwasher,  
45 cm  
SRV2HKX39G**



**Dishwasher with an option for extra-thoroughly dry dishes with just one push of a button.**

- **ExtraDry:** extra drying option for difficult-to-dry loads.
- **Auto Programmes:** automatically selects the best cleaning performance programme.
- **InfoLight:** a red infolight on the floor indicates whether the dishwasher is switched on or off.
- **EcoSilence Drive:** Energy efficient, quiet running motor.
- **AquaStop:** protects against leaks, with a 100% lifetime warranty.

**Technical Data**

Energy Efficiency Class: E  
 Energy Consumption for 100 cycles Eco Programme: 70 kWh  
 Maximum number of place settings: 9  
 The water consumption of the eco programme in liters per cycle: 8.5 l  
 Programme duration: 3:40 h  
 Airborne acoustical noise emissions : 46 dB(A) re 1 pW  
 Airborne acoustical noise emission class: C  
 Construction type: Built-in  
 Height of removable worktop: 0 mm  
 Dimensions of the product (HxWxD): 815 x 448 x 550 mm  
 Required niche size for installation (HxWxD): 815-875 x 450 x 550 mm  
 Approval certificates: CE, VDE  
 Depth with open door 90 degree: 1150 mm  
 Adjustable feet: Yes - all from front  
 Maximum adjustability feet: 60 mm  
 Adjustable plinth: both horizontal and vertical  
 Net weight: 27.481 kg  
 Gross weight: 29.2 kg  
 Connection rating: 2400 W  
 Fuse protection: 10 A  
 Voltage: 220-240 V  
 Frequency: 50; 60 Hz  
 Length of electrical supply cord: 175 cm  
 Plug type: GB plug  
 Length inlet hose: 165 cm  
 Length outlet hose: 205 cm  
 EAN code: 4242005322398  
 Installation type: Full-integrated

**Optional accessories**

SGZ1010 : inlet and outlet hose extention  
 SMZ5006 : decorative strips 81cm st.steel



## Serie | 2, Fully-integrated dishwasher, 45 cm SRV2HKX39G

### Dishwasher with an option for extra-thoroughly dry dishes with just one push of a button.

under <https://www.bosch-home.co.uk/customer-service/care-protection-and-parts/additional-warranties>

- Self-cleaning filter system with 3 piece corrugated filter
- Large item spray head, steam protection plate
- Stainless steel interior
- Dimensions (HxWxD): 81.5 x 44.8 x 55cm

<sup>1</sup> Scale of Energy Efficiency Classes from A to G

<sup>2</sup> Energy consumption in kWh per 100 cycles (in programme Eco 50 °C)

<sup>3</sup> Water consumption in litres per cycle (in programme Eco 50 °C)

<sup>4</sup> Duration of programme Eco 50 °C

#### New for 2021

#### Performance

- Energy Efficiency Class<sup>1</sup>: E
- Energy<sup>2</sup> / Water<sup>3</sup>: 70 kWh / 8.5 litres
- Capacity: 9 place settings
- Programme duration<sup>4</sup>: 3:40 (h:min)
- Noise level: 46 dB(A) re 1 pW
- Noise Efficiency Class: C

#### Programmes / functions

- 4 programmes: Eco 50 °C, Auto 45-65 °C, Intensive 70 °C, Express 65°
- 2 special options: Extra Dry, SpeedPerfect+
- Machine Care Programme

#### Flexible design elements

- Height adjustable top basket when empty
- Variable cutlery basket in bottom basket
- Low friction wheels on bottom basket
- Rack Stopper to prevent derailing of bottom basket
- 2 foldable plate racks in bottom basket
- Knife rack in top basket
- Upper rack cup shelf

#### Innovations and technology

- Heat exchanger.
- DosageAssist detergent dispenser
- EcoSilence BLDC drive
- Automatic detergent detection
- AquaMix - Glass protection system
- Aqua and loading sensor

#### Design features

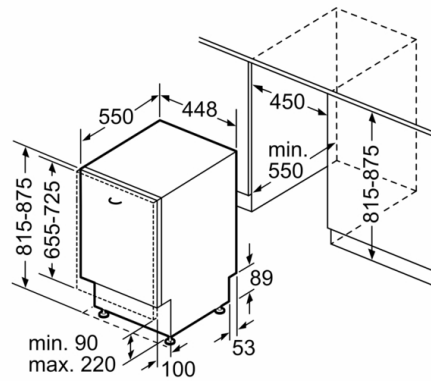
- Push button top edge controls
- InfoLight (Red) - Light projection on the floor
- Acoustic end of cycle indicator
- Time delay (3, 6 or 9 hours)
- DuoPower spray arm in upper basket
- AquaStop: Bosch warranty in case of water damage - for the lifetime of the appliance. Please find warranty terms

## Serie | 2, Fully-integrated dishwasher, 45 cm SRV2HKX39G

measurements in mm



socket  
( ) values with extension kit



measurements in mm