

**Serie | 6, Fully-integrated dishwasher,
45 cm
SPV66TX01E**



Rely on PerfectDry for excellent drying results on challenging dishes, glassware and even plastic.

- **PerfectDry based on Zeolith®:** perfect drying results with 3D Airflow even on plastic dishes.
- **Silence Programme:** the quietest way to run your dishwasher.
- **Glass 40°C:** protective programme for gently cleaning and drying glasses.
- **VarioDrawer Pro:** Adjust parts of the basket to make space for more glasses and cutlery.
- **TimeLight:** program status and remaining time clearly displayed on floor in high resolution.

Technical Data

Energy Efficiency Class: D

Energy Consumption for 100 cycles Eco Programme: 67 kWh

Maximum number of place settings: 10

The water consumption of the eco programme in liters per cycle: 9.5 l

Programme duration: 3:15 h

Airborne acoustical noise emissions : 43 dB(A) re 1 pW

Airborne acoustical noise emission class: B

Construction type: Built-in

Height of removable worktop: 0 mm

Dimensions of the product (HxWxD): 815 x 448 x 550 mm

Required niche size for installation (HxWxD): 815-875 x 450 x 550 mm

Approval certificates: CE, VDE

Depth with open door 90 degree: 1150 mm

Adjustable feet: Yes - all from front

Maximum adjustability feet: 60 mm

Adjustable plinth: both horizontal and vertical

Net weight: 40.745 kg

Gross weight: 42.5 kg

Connection rating: 2400 W

Fuse protection: 10 A

Voltage: 220-240 V

Frequency: 50; 60 Hz

Length of electrical supply cord: 175 cm

Plug type: GARDY plug w/ earthing

Length inlet hose: 165 cm

Length outlet hose: 205 cm

EAN code: 4242005060085

Installation type: Full-integrated



Optional accessories

SGZ1010 : inlet and outlet hose extention

SMZ5005 : Compensating + fixing kit, stainl. steel

SMZ5300 : GlassSecure Tray

SPZ5100 : Vario cutlery basket



Serie | 6, Fully-integrated dishwasher, 45 cm SPV66TX01E

Rely on PerfectDry for excellent drying results on challenging dishes, glassware and even plastic.

Performance

- Energy Efficiency Class:A+++
- Capacity: 10 place settings
- Energy consumption in programmeEco50 °C:188 kWhper year, based on 280 standard cleaning cycles using cold water fill and the consumption of the low power modes. Actual energy consumption will depend on how the appliance is used.
- Water consumption in Eco50programme:2660litres per year, based on 280 standard cleaning cycles
- Programme time inEco50programme:195 minutes
- Arated performance for washing andAfor drying
- Noise level dB (A) re 1pW:43 dB
- Noise level (silence programme):41 dB(A) re 1 pW
- Energy consumption inEco50programme:0.66 kWh
- Water consumption inEco50programme:9.5 litres

Programmes/functions

- 6programmes:Intensive70 °C,Auto45-65 °C,Eco50 °C,Silence50 °C,Short60 °C,Glass40 °C
- 3 special options:VarioSpeed Plus,Hygiene Plus,Extra Dry
- Special program 1: Machine Care
- 6 temperatures
- Zeolith - Energy efficient and perfect drying results

Flexible design elements

- VarioFlex Pro basket system
- VarioFlex Pro basket systemBasket system with red coloured touchpoints
- VarioDrawer Pro
- 3 stage Rackmatic height-adjustable top basket
- Lower rack handle: BO s/s-middle grey-red
- 3 foldable plate racks in top basket
- 4 foldable plate racks in bottom basket
- Upper rack cup shelf
- Glass rack in bottom basket

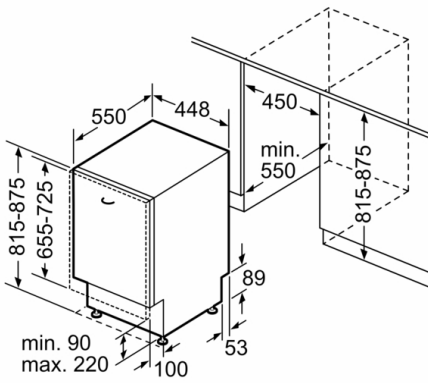
Innovations and technology

- Heat exchanger - Hygienic and efficient drying
- DosageAssist detergent dispenser
- Automatic detergent detection
- ActiveWater hydraulic water system
- EcoSilence BLDC drive
- AquaSensor III,Load Sensor
- AquaMix - Glass protection system
- AquaStop: Bosch warranty in case of water damage - for the lifetime of the appliance. Please find warranty terms under <https://www.bosch-home.co.uk/customer-service/care-protection-and-parts/additional-warranties>
- DuoPower spray arm in upper basket

Design features

- Acoustic end of cycle indicator,TimeLight - White light projection on floor,Time remaining indicator (min),water inlet indicator
- Interior white emotion light
- Push button top edge controls
- Acoustic end of cycle indicator,Time remaining indicator (min),TimeLight - White light projection on floor,water inlet indicator
- TimeLight - White light projection on floor,Acoustic end of cycle indicator,Time remaining indicator (min),water inlet indicator
- Electronic time delay: 1-24 hours
- Stainless steel interior
- Display colour:Red LED indicators
- LED salt refill indicator,LED rinse aid refill indicator
- Alternating spray arms
- steam protection plate
- Self-cleaning filter systemwith 3 piece corrugated filter
- Acoustic end of cycle indicator
- Front-adjustable rear foot
- Dimensions (HxWxD):81.5x44.8x55cm
- Efficiency information relates to the Eco50programme. This programme is suitable for cleaning normally soiled tableware and is the most efficient programme in terms of combined energy and water consumption.

**Serie | 6, Fully-integrated dishwasher, 45 cm
SPV66TX01E**



measurements in mm