

Series 4, Fully-integrated dishwasher, 45 cm SPV4EMX25G



Better drying performance with the connected dishwasher for smart remote control.

- **EfficientDry:** improved drying performance by automatic door opening.
- **Silence Plus:** the remarkably quiet 44 dB dishwasher
- **Slimline Vario Flex baskets & Vario Drawer:** 3 racks mould to fit everything from teaspoons to pots.
- **TimeLight:** program status and remaining time clearly displayed on floor in high resolution.
- **Home Connect:** home appliances with smart connectivity for an easier everyday life.

Technical Data

Energy Efficiency Class:	C
Energy Consumption for 100 cycles Eco Programme:	59 kWh
Maximum number of place settings:	10
The water consumption of the eco programme in liters per cycle: 8.9 l	
Programme duration:	3:15 h
Airborne acoustical noise emissions :	44 dB(A) re 1 pW
Airborne acoustical noise emission class:	B
Built-in / Free-standing:	Built-in
Height of removable worktop:	0 mm
Dimensions of the product (HxWxD):	815 x 448 x 550 mm
Min. required niche size for installation (HxWxD):	815-875 x 450 x 550 mm
Depth with open door 90 degree:	1150 mm
Adjustable feet:	Yes - all from front
Maximum adjustability feet:	60 mm
Adjustable plinth:	Both horizontal and vertical
Net weight:	33.4 kg
Gross weight:	35.2 kg
Connection rating:	2400 W
Fuse protection:	10 A
Voltage:	220-240 V
Frequency:	50; 60 Hz
Length electrical supply cord:	175.0 cm
Plug type:	GB plug
Length inlet hose:	165 cm
Length outlet hose:	205 cm
EAN code:	4242005467327
Installation typology:	Integrated

Optional accessories

SMZ5000	Dishwashing aid set
SMZ5003	Retractable hinge f. high corpus dimens.
SMZ5300	GlassSecure Tray
SPZ5100	Vario cutlery basket
SGZ0BI02	decorative strips stainless steel 81,5cm
SGZ1010	inlet and outlet hose extention
SGZ4CB00	Vario cutlery basket 45cm



Series 4, Fully-integrated dishwasher, 45 cm SPV4EMX25G

Better drying performance with the connected dishwasher for smart remote control.

Performance

- Energy Efficiency Class¹: C
- Energy² / Water³: 59 kWh / 8.9 litres
- Capacity: 10 place settings
- Programme duration⁴: 3:15 (h:min)
- Noise level: 44 dB(A) re 1 pW
- Noise Efficiency Class: B
- Noise level (silence programme): 42 dB(A) re 1 pW

Programmes / functions

- 6 programmes: Eco 50 °C, Auto 45-65 °C, Intensive 70 °C, Express 65°, Silence 50 °C, Favourite
- Default favourite programme: Pre-Rinse
- 4 special options: Remote Start, Efficient Dry, Intensive Zone, SpeedPerfect+
- Add-On functions via Home Connect app: Hygiene+, Silence on Demand
- Machine Care

Flexible design elements

- Vario Flex basket system
- Vario Drawer - loading of cutlery on 3rd level
- 3 stage Rackmatic height-adjustable top basket
- Low friction wheels on bottom basket
- Anti-slip protection strips in upper basket
- Rack Stopper to prevent derailing of bottom basket
- 2 foldable plate racks in top basket
- 2 foldable plate racks in bottom basket
- Upper rack cup shelf
- Lower rack cup shelf
- Glass rack in bottom basket

Innovations and technology

- Home Connect ready on WLAN
- Efficient Dry and Heat Exchanger
- DosageAssist detergent dispenser
- EcoSilence BLDC drive
- Automatic detergent detection
- AquaSensor III
- AquaMix - Glass protection system

Design features

- Push button top edge controls
- TimeLight - Light projection on the floor
- DuoPower spray arm in upper basket
- Time delay (3, 6 or 24 hours)
- Acoustic end of cycle indicator
- Self-cleaning filter system with 3 piece corrugated filter
- steam protection plate

- AquaStop: Bosch's warranty in case of water damage - for the lifetime of the appliance. Please find warranty terms under <https://www.bosch-home.co.uk/customer-service/care-protection-and-parts/additional-warranties>
- Stainless steel interior
- Dimensions (HxWxD): 81.5 x 44.8 x 55cm

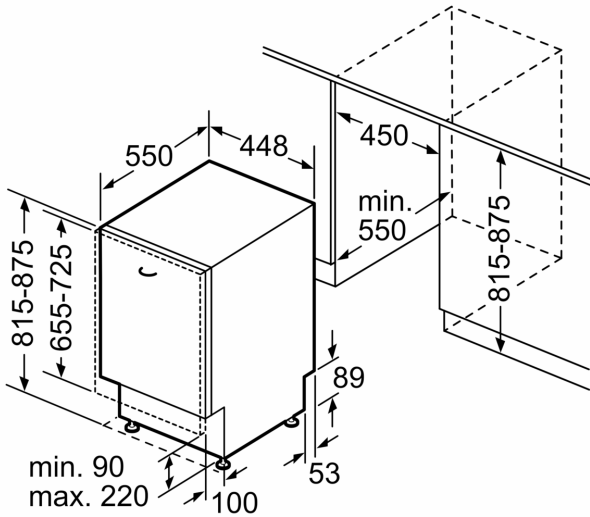
¹ Scale of Energy Efficiency Classes from A to G

² Energy consumption in kWh per 100 cycles (in programme Eco 50 °C)

³ Water consumption in litres per cycle (in programme Eco 50 °C)

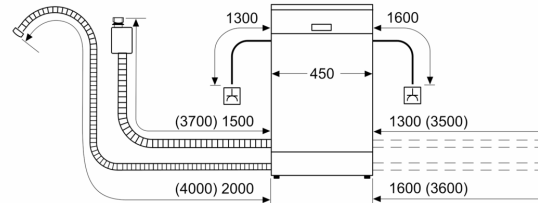
⁴ Duration of programme Eco 50 °C

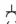
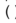
**Series 4, Fully-integrated
dishwasher, 45 cm
SPV4EMX25G**



measurements in mm

measurements in mm



 socket
 values with extension kit