

**Series 2, Fully-integrated
dishwasher, 45 cm
SPV40C40GB**



**Our ActiveWater 45 with AquaStop:
Protects you 100% against water damage
for the life of the appliance - guaranteed.**

- **AquaStop:** Bosch's warranty in case of water damage – throughout the lifetime of the appliance.*
- **Active Water:** less water, less energy, better performance.
- **EcoSilence Drive:** especially energy-saving and silent in operation with a particularly high life span.
- **10-year guarantee:** our convincing promise of quality against rusting of the inner tub.

Technical Data

Maximum number of place settings:	9
The water consumption of the eco programme in liters per cycle:11.5 l	
Built-in / Free-standing:	Built-in
Height of removable worktop:	0 mm
Dimensions of the product (HxWxD):	815 x 448 x 550 mm
Required niche size for installation (HxWxD):	815-875 x 450 x 550 mm
Depth with open door 90 degree:	1150 mm
Adjustable feet:	Yes - all from front
Maximum adjustability feet:	60 mm
Adjustable plinth:	Both horizontal and vertical
Net weight:	26.8 kg
Gross weight:	28.0 kg
Connection rating:	2400 W
Fuse protection:	13 A
Voltage:	220-240 V
Frequency:	50; 60 Hz
Length electrical supply cord:	175.0 cm
Plug type:	GB plug
Length inlet hose:	165 cm
Length outlet hose:	205 cm
EAN code:	4242002872971
Installation typology:	Integrated

Optional accessories

SGZ1010	inlet and outlet hose extention
SGZ3003	Silver polishing cassette
SMZ5000	Dishwashing aid set
SMZ5001	Baby care kit
SMZ5003	Retractable hinge f. high corpus dimens.
SMZ5005	Compensating + fixing kit, stainl. steel



¹ Scale of Energy Efficiency Classes from A to G
² Energy consumption in kWh per 100 cycles (in programme Eco 50 °C)
³ Duration of programme Eco 50 °C

Series 2, Fully-integrated dishwasher, 45 cm SPV40C40GB

**Our ActiveWater 45 with AquaStop:
Protects you 100% against water damage
for the life of the appliance - guaranteed.**

Performance

- Energy Efficiency Class: A
- Heat exchanger.
- Capacity: 9 place settings
- Energy consumption in programme Eco 50 °C: 249 kWh per year, based on 280 standard cleaning cycles using cold water fill and the consumption of the low power modes. Actual energy consumption will depend on how the appliance is used.
- Water consumption in Eco 50 programme: 3220 litres per year, based on 280 standard cleaning cycles
- Programme time in Eco 50 programme: 180 minutes
- A rated performance for washing and A for drying
- Noise level dB (A) re 1pW: 52 dB
- Energy consumption in Eco 50 programme: 0.88 kWh
- Water consumption in Eco 50 programme: 11.5 litres

Programmes/functions

- 4 programmes: Intensive 70 °C, Normal
- 65 °C, Eco 50 °C, Quick wash
- 4 temperatures

Flexible design elements

- Normal baskets
- Variable cutlery basket in bottom basket

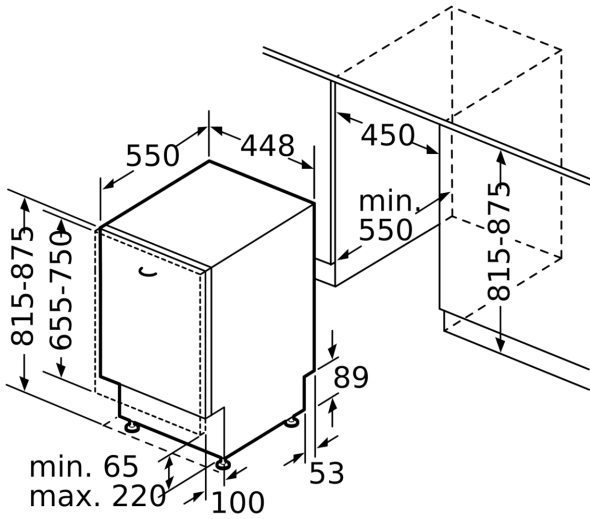
Innovations and technology

- EcoSilence BLDC drive
- DuoPower spray arm in upper basket
- ActiveWater hydraulic water system
- DosageAssist detergent dispenser
- Automatic detergent detection
- Load Sensor
- AquaMix - Glass protection system
- incl. Steam protection for worktop
- AquaStop: Bosch's warranty in case of water damage - for the lifetime of the appliance. Please find warranty terms under <https://www.bosch-home.co.uk/customer-service/care-protection-and-parts/additional-warranties>

Design features

- Stainless steel interior
- Push button top edge controls
- Display colour: Red LED indicators
- LED salt refill indicator, LED rinse aid refill indicator
- Self-cleaning filter system with 3 piece corrugated filter
- Dimensions (HxWxD): 81.5 x 44.8 x 55cm
- Efficiency information relates to the Eco 50 programme. This programme is suitable for cleaning normally soiled tableware and is the most efficient programme in terms of combined energy and water consumption.

**Series 2, Fully-integrated
dishwasher, 45 cm
SPV40C40GB**



measurements in mm