

**Serie | 6, Fully-integrated dishwasher,  
60 cm  
SMV68TD06G**



**Rely on PerfectDry for excellent drying results on challenging dishes, glassware and even plastic.**

- **PerfectDry based on Zeolith®:** perfect drying results with 3D Airflow even on plastic dishes.
- **Silence Programme:** the quietest way to run your dishwasher.
- **Glass 40°C:** protective programme for gently cleaning and drying glasses.
- **VarioDrawer:** Adjust parts of the basket to make space for more glasses and cutlery.
- **Rackmatic:** even more adjustment options and thus maximum flexibility.

**Technical Data**

Energy Efficiency Class: D

Energy Consumption for 100 cycles Eco Programme: 85 kWh

Maximum number of place settings: 14

The water consumption of the eco programme in liters per cycle: 9.5 l

Programme duration: 3:15 h

Airborne acoustical noise emissions : 41 dB(A) re 1 pW

Airborne acoustical noise emission class: B

Construction type: Built-in

Height of removable worktop: 0 mm

Dimensions of the product (HxWxD): 815 x 598 x 550 mm

Required niche size for installation (HxWxD): 815-875 x 600 x 550 mm

Approval certificates: CE, VDE

Depth with open door 90 degree: 1150 mm

Adjustable feet: Yes - all from front

Maximum adjustability feet: 60 mm

Adjustable plinth: both horizontal and vertical

Net weight: 51.7 kg

Gross weight: 54.0 kg

Connection rating: 2400 W

Fuse protection: 10 A

Voltage: 220-240 V

Frequency: 50; 60 Hz

Length of electrical supply cord: 175 cm

Plug type: GB plug

Length inlet hose: 165 cm

Length outlet hose: 190 cm

EAN code: 4242005035939

Installation type: Full-integrated



**Optional accessories**

SGZ1010 : inlet and outlet hose extention

SMZ5005 : Compensating + fixing kit, stainl. steel

SMZ5035 : Decor conversion kit, stainless steel

SMZ5100 : Vario-cutlery basket

SMZ5300 : GlassSecure Tray



## Serie | 6, Fully-integrated dishwasher, 60 cm SMV68TD06G

### Rely on PerfectDry for excellent drying results on challenging dishes, glassware and even plastic.

#### Performance

- Energy Efficiency Class<sup>1</sup>: D
- Energy<sup>2</sup> / Water<sup>3</sup>: 85 kWh / 9.5 litres
- Capacity: 14 place settings
- Programme duration<sup>4</sup>: 3:15 (h:min)
- Noise level: 41 dB(A) re 1 pW
- Noise Efficiency Class: B
- Noise level (silence programme): 39 dB(A) re 1 pW

#### Programmes/functions

- 8 programmes: Intensive 70 °C, Auto 45-65 °C, Eco 50 °C, Silence, Short, Glass 40 °C, Quick 45 °C, Prerinse
- 5 special options: Remote Start, Intensive Zone, VarioSpeedPlus, Hygiene+, Extra Dry
- Special program 1: Machine Care
- 6 temperatures
- Zeolith - Energy efficient and perfect drying results

#### Flexible design elements

- VarioFlex Pro basket system Basket system with red coloured touchpoints
- VarioDrawer
- 3 stage Rackmatic height-adjustable top basket
- Lower rack handle: BO s/s-middle grey-red
- 6 foldable plate racks in top basket
- 8 foldable plate racks in bottom basket
- Upper rack cup shelf
- Glass rack in bottom basket

#### Innovations and technology

- DoorOpen Assist - perfectly designed for kitchens without handles
- Home Connect ready on WLAN
- Heat exchanger - Hygienic and efficient drying
- DosageAssist detergent dispenser
- Automatic detergent detection
- ActiveWater hydraulic water system
- EcoSilence BLDC drive
- AquaSensor III, Load Sensor
- AquaMix - Glass protection system
- AquaStop: Bosch warranty in case of water damage - for the lifetime of the appliance. Please find warranty terms

under <https://www.bosch-home.co.uk/customer-service/care-protection-and-parts/additional-warranties>

- Curved spray arms - Optimum water distribution

#### Design features

- Acoustic end of cycle indicator, Real-time clock - actual time is displayed, TimeLight - White light projection on floor, TFT display with high-definition colour, water inlet indicator
- Touch Control (metallic)
- Real-time clock - actual time is displayed
- Interior white emotion light
- Push button top edge controls
- Acoustic end of cycle indicator, TimeLight - White light projection on floor, water inlet indicator, TFT display with high-definition colour
- TimeLight - White light projection on floor, Acoustic end of cycle indicator, Real-time clock - actual time is displayed, TFT display with high-definition colour, water inlet indicator
- Time delay (3, 6 or 24 hours)
- Black display with white text
- ChildLock - double push to open
- Stainless steel interior
- Display colour: Red LED indicators
- LED salt refill indicator, LED rinse aid refill indicator
- Alternating spray arms
- Large item spray head, steam protection plate
- Self-cleaning filter system with 3 piece corrugated filter
- Acoustic end of cycle indicator
- Front-adjustable rear foot
- Dimensions (HxWxD): 81.5 x 59.8 x 55cm

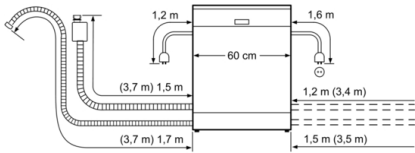
<sup>1</sup> Scale of Energy Efficiency Classes from A to G

<sup>2</sup> Energy consumption in kWh per 100 cycles (in programme Eco 50 °C)

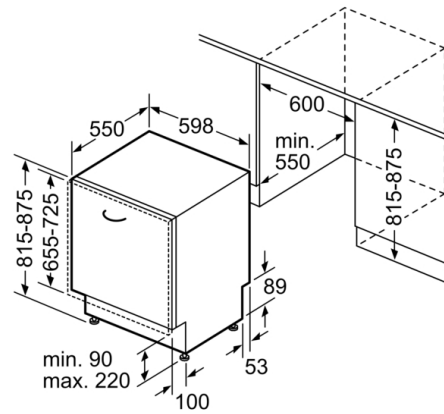
<sup>3</sup> Water consumption in litres per cycle (in programme Eco 50 °C)

<sup>4</sup> Duration of programme Eco 50 °C

## Serie | 6, Fully-integrated dishwasher, 60 cm SMV68TD06G



( ) Werte mit Verlängerungssatz



measurements in mm