

**Serie | 6, Fully-integrated dishwasher,
60 cm
SMV68MD02G**



A++

Enjoy a peaceful kitchen. Our especially quiet SuperSilence dishwasher. Even quieter when running the Silence program.

- **ExtraDry:** extra drying option for difficult-to-dry loads.
- **Silence Programme:** the quietest way to run your dishwasher.
- **Silence Program and SuperSilence:** remarkably quiet at 44 dB, more so with the Silence program.
- **Glass 40°C:** protective programme for gently cleaning and drying glasses.
- **VarioDrawer:** 3rd level loading for cutlery and smaller kitchen utensils.

Technical Data

Water consumption (l) :	6.5
Construction type :	Built-in
Height of removable worktop (mm) :	0
Dimensions of the product (HxWxD) :	815 x 598 x 550
Required niche size for installation (HxWxD) :	815-875 x 600 x 550
Depth with open door 90 degree (mm) :	1150
Adjustable feet :	Yes - all from front
Maximum adjustability feet (mm) :	60
Adjustable plinth :	both horizontal and vertical
Net weight (kg) :	39.830
Gross weight (kg) :	42.0
Connection rating (W) :	2400
Current (A) :	10
Voltage (V) :	220-240
Frequency (Hz) :	50; 60
Length of electrical supply cord (cm) :	175
Plug type :	GB plug
Length inlet hose (cm) :	165
Length outlet hose (cm) :	190
EAN code :	4242002998268
Number of place settings :	13
Energy efficiency rating :	A++
Energy consumption annual (kWh/annum) - NEW (2010/30/EC) :	262.00
Energy consumption (kWh) :	0.92
Power consumption in left-on mode (W) - NEW (2010/30/EC) :	0.50
Power consumption in off-mode (W) - NEW (2010/30/EC) :	0.50
Water consumption annual (l/annum) - NEW (2010/30/EC) :	1820
Drying performance :	A
Reference programme :	Eco
Total cycle time of reference programme (min) :	195
Noise level (dB(A) re 1 pW) :	44
Installation type :	Full-integrated



Optional accessories

- SGZ1010 :
- SMZ5003 :
- SMZ5005 :
- SMZ5035 : Decor conversion kit, stainless steel
- SMZ5100 :
- SMZ5300 :



Serie | 6, Fully-integrated dishwasher, 60 cm SMV68MD02G

Enjoy a peaceful kitchen. Our especially quiet SuperSilence dishwasher. Even quieter when running the Silence program.

Performance

- Energy Efficiency Class: A++
- Capacity: 13 place settings
- Energy consumption in programme Eco 50 °C: 262 kWh per year, based on 280 standard cleaning cycles using cold water fill and the consumption of the low power modes. Actual energy consumption will depend on how the appliance is used.
- Water consumption in Eco 50 programme: 1820 litres per year, based on 280 standard cleaning cycles
- Programme time in Eco 50 programme: 195 minutes
- A rated performance for washing and A for drying
- Noise level dB (A) re 1pW: 44 dB
- Noise level (silence programme): 41 dB(A) re 1 pW
- Energy consumption in Eco 50 programme: 0.92 kWh
- Water consumption in Eco 50 programme: 6.5 litres

Programmes/functions

- 8 programmes: Intensive 70 °C, Auto 45-65 °C, Eco 50 °C, Silence, Glass 40 °C, 1h 65 °C, Quick 45 °C, Prerinse
- 4 special options: Intensive Zone, VarioSpeed Plus, Hygiene+, Extra Dry
- Special program 1: Machine Care
- 5 temperatures

Flexible design elements

- VarioFlex basket system
- VarioDrawer - loading of cutlery on 3rd level
- 3 stage Rackmatic height-adjustable top basket
- Lower rack handle: BO plastic-middle grey-red
- 2 foldable plate racks in top basket
- 4 foldable plate racks in bottom basket
- Upper rack cup shelf

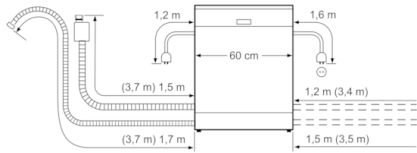
Innovations and technology

- DoorOpen Assist - perfectly designed for kitchens without handles
- Heat exchanger - Hygienic and efficient drying
- DosageAssist detergent dispenser
- Automatic detergent detection
- ActiveWater hydraulic water system
- EcoSilence BLDC drive
- AquaSensor III, Load Sensor
- AquaMix - Glass protection system
- AquaStop: Bosch warranty in case of water damage - for the lifetime of the appliance. Please find warranty terms under <https://www.bosch-home.co.uk/customer-service/care-protection-and-parts/additional-warranties>
- Curved spray arms - Optimum water distribution

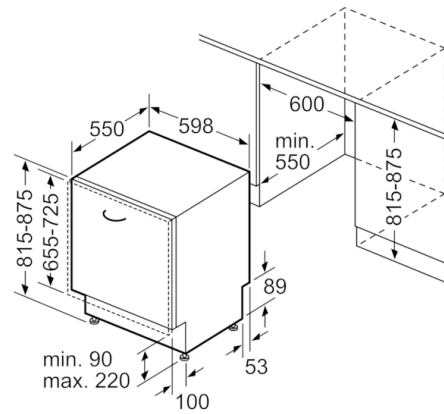
Design features

- Touch Control (metallic)
- Push button top edge controls
- Acoustic end of cycle indicator, Time remaining indicator (min), TimeLight - White light projection on floor, water inlet indicator
- TimeLight - White light projection on floor, Acoustic end of cycle indicator, Time remaining indicator (min), water inlet indicator
- Time delay (3, 6 or 24 hours)
- ChildLock - double push to open
- Stainless steel interior
- Display colour: red/white
- LED salt refill indicator, LED rinse aid refill indicator
- Alternating spray arms
- Large item spray head, steam protection plate
- Self-cleaning filter system with 3 piece corrugated filter
- Acoustic end of cycle indicator
- Front-adjustable rear foot
- Dimensions (HxWxD): 81.5 x 59.8 x 55cm
- Efficiency information relates to the Eco 50 programme. This programme is suitable for cleaning normally soiled tableware and is the most efficient programme in terms of combined energy and water consumption.

Serie | 6, Fully-integrated dishwasher, 60 cm SMV68MD02G



() Werte mit Verlängerungssatz



measurements in mm