

**Series 6, Fully-integrated
dishwasher, 60 cm
SMV53M40GB**



Our ActiveWater 60 in A++: Especially good for the environment and your budget, thanks to very high energy efficiency.

- **Silence Plus:** pleasantly quiet at 46 dB.
- **Vario Flex baskets:** easily adjustable to create more space for your dishes.
- **Rackmatic:** even more adjustment options and thus maximum flexibility.
- **InfoLight:** a red light on the floor indicates whether the dishwasher is switched on or off.
- **AquaStop:** Bosch's warranty in case of water damage – throughout the lifetime of the appliance.*

Technical Data

Maximum number of place settings: 13
 The water consumption of the eco programme in liters per cycle: 9.5 l
 Built-in / Free-standing: Built-in
 Height of removable worktop: 0 mm
 Dimensions of the product (HxWxD): 815 x 598 x 550 mm
 Min. required niche size for installation (HxWxD): 815-875 x 600 x 550 mm
 Depth with open door 90 degree: 1150 mm
 Adjustable feet: Yes - all from front
 Maximum adjustability feet: 60 mm
 Adjustable plinth: Both horizontal and vertical
 Net weight: 33.2 kg
 Gross weight: 35.3 kg
 Connection rating: 2400 W
 Fuse protection: 13 A
 Voltage: 220-240 V
 Frequency: 50; 60 Hz
 Length electrical supply cord: 175.0 cm
 Plug type: GB plug
 Length inlet hose: 165 cm
 Length outlet hose: 190 cm
 EAN code: 4242002873053
 Installation typology: Integrated

Optional accessories

SMZ5002	Silver polishing cassette
SMZ5003	Retractable hinge f. high corpus dimens.
SMZ5005	Compensating + fixing kit, stainl. steel
SMZ5035	Decor conversion kit, stainless steel
SMZ5300	GlassSecure Tray
SGZ1010	inlet and outlet hose extention
SMZ2014	Rack insert for stemware dishwasher
SMZ2055	Attachment door, stainless steel
SMZ5001	Baby care kit



Series 6, Fully-integrated dishwasher, 60 cm SMV53M40GB

Our ActiveWater 60 in A++: Especially good for the environment and your budget, thanks to very high energy efficiency.

Performance

- Heat exchanger.
- Capacity: 13 place settings
- Energy consumption in programme Eco 50 °C: 262 kWh per year, based on 280 standard cleaning cycles using cold water fill and the consumption of the low power modes. Actual energy consumption will depend on how the appliance is used.
- Water consumption in Eco 50 programme: 2660 litres per year, based on 280 standard cleaning cycles
- Programme time in Eco 50 programme: 210 minutes
- Noise level dB (A) re 1pW: 46 dB
- Energy consumption in Eco 50 programme: 0.92 kWh

Programmes/functions

- 5 programmes:
- Intensive 70 °C, Auto 45-65 °C, Eco 50 °C,
- Quick wash 45 °C, Pre-Rinse
- 2 Special options: VarioSpeed, Extra Dry
- 4 temperatures

Flexible design elements


- Vario Flex baskets
- Lower rack handle: Bosch plastic
- 3 stage Rackmatic height-adjustable top basket
- 2 foldable plate racks in top basket
- 4 foldable plate racks in bottom basket
- Moveable cutlery basket in lower rack
- Knife rack in top basket

Innovations and technology

- EcoSilence BLDC drive
- Curved spray arms - Optimum water distribution
- ActiveWater hydraulic water system
- DosageAssist detergent dispenser
- Automatic detergent detection
- AquaSensor III, Load Sensor
- AquaMix - Glass protection system
- steam protection plate
- AquaStop: Bosch's warranty in case of water damage - for the lifetime of the appliance. Please find warranty terms under <https://www.bosch-home.co.uk/customer-service/care-protection-and-parts/additional-warranties>

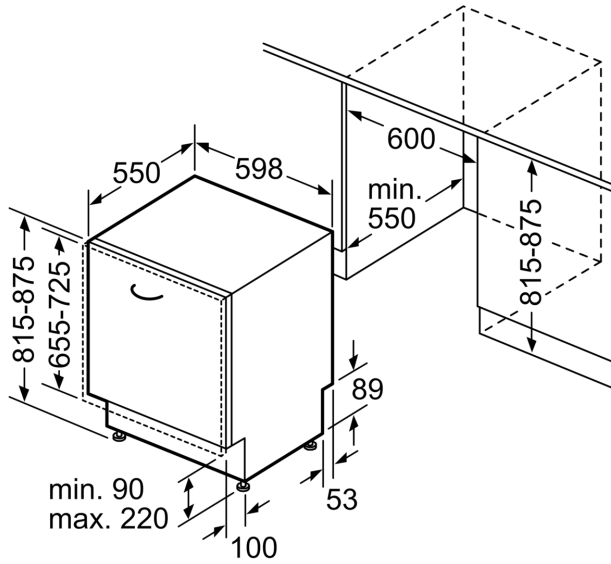
Design features

- Stainless steel interior
- Red Info light, Acoustic end of cycle indicator, Time remaining indicator (min), water inlet indicator
- Push button top edge controls
- Display colour: Red LED indicators
- LED salt refill indicator, LED rinse aid refill indicator
- Self-cleaning filter system with 3 piece corrugated filter
- Time delay (3, 6 or 24 hours)
- Dimensions (HxWxD): 81.5 x 59.8 x 55cm
- Efficiency information relates to the Eco 50 programme. This programme is suitable for cleaning normally soiled tableware and is the most efficient programme in terms of combined energy and



water consumption.

**Series 6, Fully-integrated
dishwasher, 60 cm
SMV53M40GB**



measurements in mm