

## Series 4, Fully-integrated dishwasher, 60 cm SMV46KX00G



### Optional accessories

SGZ1010	inlet and outlet hose extension
SMZ2014	Rack insert for stemware dishwasher
SMZ2056	Attachment door, stainless steel
SMZ5000	Dishwashing aid set
SMZ5001	Baby care kit
SMZ5003	Retractable hinge f. high corpus dimens.
SMZ5006	decorative strips 81cm st. steel
SMZ5100	Vario-cutlery basket
SMZ5300	GlassSecure Tray

## Gentle - even to your ear. Our SilencePlus.

- **ExtraDry:** extra drying option for difficult-to-dry loads.
- **Glass 40°C:** gentle cleaning for your delicate glassware.
- **VarioFlex-baskets and VarioDrawer:** enhanced flexibility options with more space on all levels.
- **VarioDrawer:** 3rd level loading for cutlery and smaller kitchen utensils.
- **Rackmatic:** even more adjustment options and thus maximum flexibility.

### Technical Data

Energy Efficiency Class:	..... E
Energy Consumption for 100 cycles Eco Programme:	..... 94 kWh
Maximum number of place settings:	..... 13
The water consumption of the eco programme in liters per cycle:	9.5 l
Programme duration:	..... 3:30 h
Airborne acoustical noise emissions :	.....46 dB(A) re 1 pW
Airborne acoustical noise emission class:	.....C
Built-in / Free-standing:	..... Built-in
Height of removable worktop:	..... 0 mm
Dimensions of the product (HxWxD):	.....815 x 598 x 550 mm
Min. required niche size for installation (HxWxD):	.....815-875 x 600 x 550 mm
Depth with open door 90 degree:	..... 1150 mm
Adjustable feet:	..... Yes - all from front
Maximum adjustability feet:	..... 60 mm
Adjustable plinth:	..... Both horizontal and vertical
Net weight:	.....36.0 kg
Gross weight:	..... 37.8 kg
Connection rating:	..... 2400 W
Fuse protection:	.....10 A
Voltage:	..... 220-240 V
Frequency:	..... 60; 50 Hz
Length electrical supply cord:	..... 175.0 cm
Plug type:	..... GB plug
Length inlet hose:	..... 165 cm
Length outlet hose:	..... 190 cm
EAN code:	..... 4242005027903
Installation typology:	..... Integrated



## Series 4, Fully-integrated dishwasher, 60 cm SMV46KX00G

### Gentle - even to your ear. Our SilencePlus.

#### Performance

- Energy Efficiency Class<sup>1</sup>: E
- Energy<sup>2</sup> / Water<sup>3</sup>: 94 kWh / 9.5 litres
- Capacity: 13 place settings
- Programme duration<sup>4</sup>: 3:30 (h:min)
- Noise level: 46 dB(A) re 1 pW
- Noise Efficiency Class: C

#### Programmes/functions

- 6 programmes:
- Intensive 70 °C, Auto 45-65 °C, Eco 50 °C,
- Glass 40 °C, Quick wash 45 °C, Pre-Rinse
- 3 special options: VarioSpeed Plus, Hygiene Plus, Extra Dry
- Special program 1: Machine Care
- 5 temperatures

#### Flexible design elements

- Vario Drawer - loading of cutlery on 3rd level
- 3 stage Rackmatic height-adjustable top basket
- Lower rack handle: BO plastic-middle grey-red
- 2 foldable plate racks in top basket
- 4 foldable plate racks in bottom basket
- Upper rack cup shelf

#### Innovations and technology

- Heat exchanger.
- DosageAssist detergent dispenser
- Automatic detergent detection
- ActiveWater hydraulic water system
- EcoSilence BLDC drive
- AquaSensor III, Load Sensor
- AquaMix - Glass protection system
- AquaStop: Bosch's warranty in case of water damage - for the lifetime of the appliance. Please find warranty terms under <https://www.bosch-home.co.uk/customer-service/care-protection-and-parts/additional-warranties>
- Curved spray arms - Optimum water distribution

#### Design features

- Push button top edge controls
- Acoustic end of cycle indicator, Time remaining indicator (min), water inlet indicator
- Red Info light, Acoustic end of cycle indicator, Time remaining indicator (min), water inlet indicator
- Time delay (3, 6 or 24 hours)
- Stainless steel/Polinox interior
- Display colour: Red LED indicators
- LED salt refill indicator, LED rinse aid refill indicator
- Alternating spray arms
- Large item spray head, steam protection plate
- Self-cleaning filter system with 3 piece corrugated filter
- Acoustic end of cycle indicator

- Front-adjustable rear foot
- Dimensions (HxWxD): 81.5 x 59.8 x 55cm

<sup>1</sup> Scale of Energy Efficiency Classes from A to G

<sup>2</sup> Energy consumption in kWh per 100 cycles (in programme Eco 50 °C)

<sup>3</sup> Water consumption in litres per cycle (in programme Eco 50 °C)

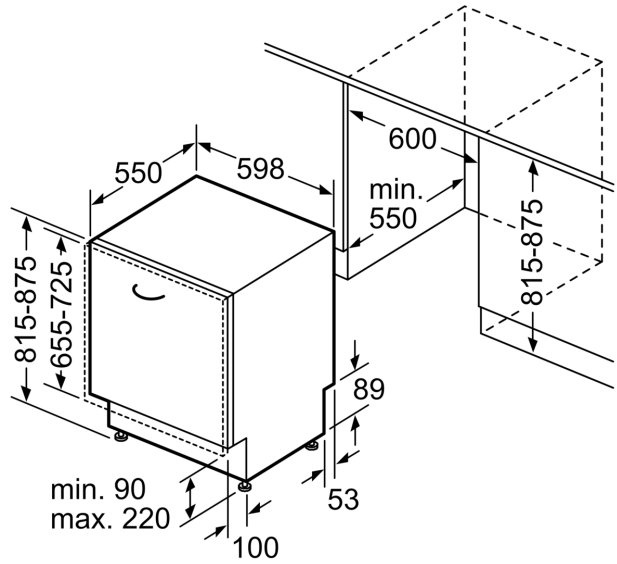
<sup>4</sup> Duration of programme Eco 50 °C

## Series 4, Fully-integrated dishwasher, 60 cm SMV46KX00G

measurements in mm



socket  
( ) values with extension kit



measurements in mm