

Series 4, Fully-integrated dishwasher, 60 cm SMV46IX01G



A++



Optional accessories

SGZ1010	inlet and outlet hose extension
SMZ2014	Rack insert for stemware dishwasher
SMZ2055	Attachment door, stainless steel
SMZ5001	Baby care kit
SMZ5002	Silver polishing cassette
SMZ5003	Retractable hinge f. high corpus dimens.
SMZ5005	Compensating + fixing kit, stainl. steel
SMZ5035	Decor conversion kit, stainless steel
SMZ5300	GlassSecure Tray

Gentle - even to your ear. Our SilencePlus.

- **ExtraDry:** extra drying option for difficult-to-dry loads.
- **Silence Plus:** pleasantly quiet at 46 dB.
- **Glass 40°C:** gentle cleaning for your delicate glassware.
- **Vario Flex baskets:** easily adjustable to create more space for your dishes.
- **Rackmatic:** even more adjustment options and thus maximum flexibility.

Technical Data

Maximum number of place settings: 13
The water consumption of the eco programme in liters per cycle:	9.5 l
Built-in / Free-standing: Built-in
Height of removable worktop: 0 mm
Dimensions of the product (HxWxD):815 x 598 x 550 mm
Min. required niche size for installation (HxWxD):815-875 x 600 x 550 mm
Depth with open door 90 degree: 1150 mm
Adjustable feet: Yes - all from front
Maximum adjustability feet: 60 mm
Adjustable plinth: Both horizontal and vertical
Net weight: 33.2 kg
Gross weight: 35.3 kg
Connection rating: 2400 W
Fuse protection: 10 A
Voltage: 220-240 V
Frequency: 60; 50 Hz
Length electrical supply cord: 175.0 cm
Plug type: GB plug
Length inlet hose: 165 cm
Length outlet hose: 190 cm
EAN code: 4242002998305
Installation typology: Integrated



4 242002 998305

Series 4, Fully-integrated dishwasher, 60 cm SMV46IX01G

Gentle - even to your ear. Our SilencePlus.

Performance

- Capacity: 13 place settings
- Energy consumption in programme Eco 50 °C: 262 kWh per year, based on 280 standard cleaning cycles using cold water fill and the consumption of the low power modes. Actual energy consumption will depend on how the appliance is used.
- Water consumption in Eco50 programme: 2660 litres per year, based on 280 standard cleaning cycles
- Programme time in Eco 50 programme: 210 minutes
- Noise level dB (A) re 1pW: 46 dB
- Energy consumption in Eco 50 programme: 0.92 kWh

Programmes/functions

- 6 programmes:
- Intensive 70 °C, Auto 45-65 °C, Eco 50 °C,
- Glass 40 °C, Quick wash 45 °C, Pre-Rinse
- 3 special options: VarioSpeed Plus, Hygiene Plus, Extra Dry
- Special program 1: Machine Care
- 5 temperatures

Flexible design elements

- 3 stage Rackmatic height-adjustable top basket
- Lower rack handle: BO plastic-middle grey-red
- 2 foldable plate racks in top basket
- 4 foldable plate racks in bottom basket
- Moveable cutlery basket in lower rack
- Knife rack in top basket

Innovations and technology

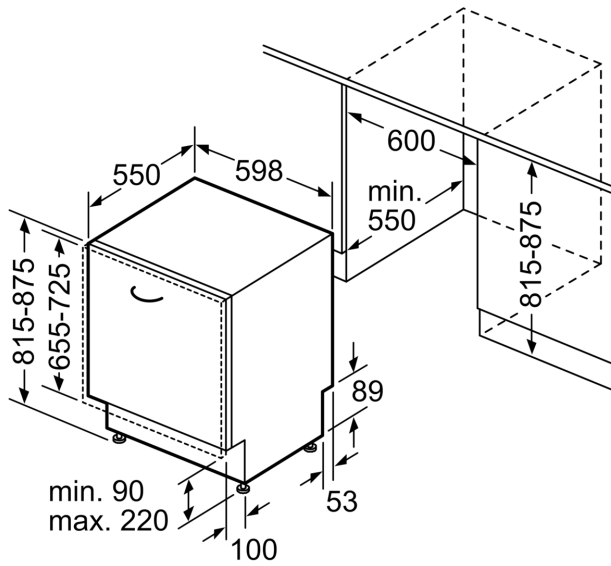
- Heat exchanger.
- DosageAssist detergent dispenser
- Automatic detergent detection
- ActiveWater hydraulic water system
- EcoSilence BLDC drive
- AquaSensor III, Load Sensor
- AquaMix - Glass protection system
- AquaStop: Bosch's warranty in case of water damage - for the lifetime of the appliance. Please find warranty terms under <https://www.bosch-home.co.uk/customer-service/care-protection-and-parts/additional-warranties>
- Curved spray arms - Optimum water distribution

Design features

- Push button top edge controls
- Acoustic end of cycle indicator, Time remaining indicator (min), water inlet indicator
- Red Info light, Acoustic end of cycle indicator, Time remaining indicator (min), water inlet indicator
- Time delay (3, 6 or 24 hours)
- Stainless steel interior
- Display colour: Red LED indicators
- LED salt refill indicator, LED rinse aid refill indicator
- Alternating spray arms

- Large item spray head, steam protection plate
- Self-cleaning filter system with 3 piece corrugated filter
- Acoustic end of cycle indicator
- Front-adjustable rear foot
- Dimensions (HxWxD): 81.5 x 59.8 x 55cm
- Efficiency information relates to the Eco50 programme. This programme is suitable for cleaning normally soiled tableware and is the most efficient programme in terms of combined energy and water consumption.

**Series 4, Fully-integrated
dishwasher, 60 cm
SMV46IX01G**



measurements in mm