

Series 4, Fully-integrated dishwasher, 60 cm SMV46GX00G



A++



Optional accessories

SMZ5003	Retractable hinge f. high corpus dimens.
SMZ5006	decorative strips 81cm st.steel
SMZ5100	Vario-cutlery basket
SMZ5300	GlassSecure Tray
SMZ5001	Baby care kit
SMZ5002	Silver polishing cassette
SGZ1010	inlet and outlet hose extention
SMZ2014	Rack insert for stemware dishwasher
SMZ2056	Attachment door, stainless steel
SMZ5000	Dishwashing aid set

Gentle - even to your ear. Our SilencePlus.

- **ExtraDry:** extra drying option for difficult-to-dry loads.
- **Glass 40°C:** gentle cleaning for your delicate glassware.
- **Vario Flex baskets:** easily adjustable to create more space for your dishes.
- **Rackmatic:** even more adjustment options and thus maximum flexibility.
- **InfoLight:** a red light on the floor indicates whether the dishwasher is switched on or off.

Technical Data

Maximum number of place settings:	12
The water consumption of the eco programme in liters per cycle: 7.5 l	
Built-in / Free-standing:	Built-in
Height of removable worktop:	0 mm
Dimensions of the product (HxWxD):	815 x 598 x 550 mm
Min. required niche size for installation (HxWxD):	815-875 x 600 x 550 mm
Depth with open door 90 degree:	1150 mm
Adjustable feet:	Yes - all from front
Maximum adjustability feet:	60 mm
Adjustable plinth:	Both horizontal and vertical
Net weight:	34.0 kg
Gross weight:	35.8 kg
Connection rating:	2400 W
Fuse protection:	10 A
Voltage:	220-240 V
Frequency:	60; 50 Hz
Length electrical supply cord:	175.0 cm
Plug type:	GB plug
Length inlet hose:	165 cm
Length outlet hose:	190 cm
EAN code:	4242005027880
Installation typology:	Integrated



Series 4, Fully-integrated dishwasher, 60 cm SMV46GX00G

Gentle - even to your ear. Our SilencePlus.

Performance

- Capacity: 12 place settings
- Energy consumption in programme Eco 50 °C: 258 kWhper year, based on 280 standard cleaning cycles using cold water fill and the consumption of the low power modes. Actual energy consumption will depend on how the appliance is used.
- Water consumption in Eco50 programme: 2100 litres per year, based on 280 standard cleaning cycles
- Programme time in Eco 50 programme: 235 minutes
- Noise level dB (A) re 1pW: 46 dB

Programmes/functions

- 6 programmes: Intensive 70 °C, Auto 45-65 °C, Eco 50 °C, Glass 40 °C, Turbo Speed 60 °C, Quick 45 °C
- 3 special options: VarioSpeed Plus, Hygiene Plus, Extra Dry
- Special program 1: Machine Care
- 6 temperatures

Flexible design elements

- 3 stage Rackmatic height-adjustable top basket
- Lower rack handle: BO plastic-middle grey-red
- 2 foldable plate racks in top basket
- 4 foldable plate racks in bottom basket
- Moveable cutlery basket in lower rack
- Knife rack in top basket

Innovations and technology

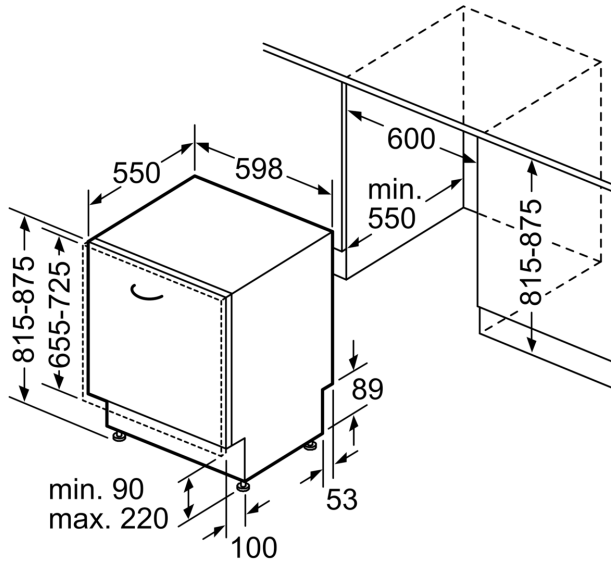
- Heat exchanger.
- DosageAssist detergent dispenser
- Automatic detergent detection
- ActiveWater hydraulic water system
- EcoSilence BLDC drive
- AquaSensor III, Load Sensor
- AquaMix - Glass protection system
- AquaStop: Bosch's warranty in case of water damage - for the lifetime of the appliance. Please find warranty terms under <https://www.bosch-home.co.uk/customer-service/care-protection-and-parts/additional-warranties>
- Curved spray arms - Optimum water distribution

Design features

- Push button top edge controls
- Acoustic end of cycle indicator, Time remaining indicator (min), water inlet indicator
- Red Info light, Acoustic end of cycle indicator, Time remaining indicator (min), water inlet indicator
- Time delay (3, 6 or 24 hours)
- Stainless steel/Polinox interior
- Display colour: Red LED indicators
- LED salt refill indicator, LED rinse aid refill indicator
- Alternating spray arms
- Large item spray head, steam protection plate
- Self-cleaning filter system with 3 piece corrugated filter

- Acoustic end of cycle indicator
- Front-adjustable rear foot
- Dimensions (HxWxD): 81.5 x 59.8 x 55cm
- Efficiency information relates to the Eco50 programme. This programme is suitable for cleaning normally soiled tableware and is the most efficient programme in terms of combined energy and water consumption.

**Series 4, Fully-integrated
dishwasher, 60 cm
SMV46GX00G**



measurements in mm