

Series 6, semi-integrated dishwasher, 60 cm, Stainless steel SMI68TS06E



Rely on PerfectDry for excellent drying results on challenging dishes, glassware and even plastic.

- **PerfectDry based on Zeolith®:** perfect drying results with 3D Airflow even on plastic dishes.
- **Silence Programme:** the quietest way to run your dishwasher.
- **Silence Program and SuperSilence:** remarkably quiet at 42 dB, more so with the Silence program.
- **VarioDrawer Pro:** Adjust parts of the basket to make space for more glasses and cutlery.
- **TFT-Display:** intuitive program selection with plain text, real-time display and status information.

Technical Data

Energy Efficiency Class:	D
Energy Consumption for 100 cycles Eco Programme:	85 kWh
Maximum number of place settings:	14
The water consumption of the eco programme in liters per cycle: 9.5 l	
Programme duration:	3:15 h
Airborne acoustical noise emissions :	42 dB(A) re 1 pW
Airborne acoustical noise emission class:	B
Built-in / Free-standing:	Built-in
Height of removable worktop:	0 mm
Dimensions of the product (HxWxD):	815 x 598 x 573 mm
Min. required niche size for installation (HxWxD):	815-875 x 600 x 550 mm
Depth with open door 90 degree:	1150 mm
Adjustable feet:	Yes - all from front
Maximum adjustability feet:	60 mm
Adjustable plinth:	Both horizontal and vertical
Net weight:	47.7 kg
Gross weight:	50.0 kg
Connection rating:	2400 W
Fuse protection:	10 A
Voltage:	220-240 V
Frequency:	60; 50 Hz
Length electrical supply cord:	175.0 cm
Plug type:	Gardy plug w/ earthing
Length inlet hose:	165 cm
Length outlet hose:	190 cm
EAN code:	4242002959900
Installation typology:	Semi-integrated

Optional accessories

SGZ1010	inlet and outlet hose extention
SMZ1051EU	Mains cable with EU-Plug 5m
SMZ2014	Rack insert for stemware dishwasher
SMZ2044	Plinth casing and door, stainless steel
SMZ5000	Dishwashing aid set
SMZ5003	Retractable hinge f. high corpus dimens.
SMZ5005	Compensating + fixing kit, stainl. steel
SMZ5035	Decor conversion kit, stainless steel
SMZ5100	Vario-cutlery basket
SMZ5300	GlassSecure Tray



Series 6, semi-integrated dishwasher, 60 cm, Stainless steel SMI68TS06E

**Rely on PerfectDry for excellent drying
results on challenging dishes, glassware
and even plastic.**

Performance

- Energy Efficiency Class: A+++
- Capacity: 14 place settings. VarioDrawer on 3rd level
- Energy consumption in programme Eco 50 °C: 237 kWh per year, based on 280 standard cleaning cycles using cold water fill and the consumption of the low power modes. Actual energy consumption will depend on how the appliance is used.
- Water consumption in Eco50 programme: 2660 litres per year, based on 280 standard cleaning cycles
- Programme time in Eco 50 programme: 195 minutes
- A rated performance for washing and A for drying
- Noise level dB (A) re 1pW: 42 dB
- Noise level (silence programme): 40 dB(A) re 1 pW
- Energy consumption in Eco 50 programme: 0.83 kWh
- Water consumption in Eco 50 programme: 9.5 litres

Programmes/functions

- 8 programmes: Intensive 70 °C, Auto 45-65 °C, Eco 50 °C, Silence 50 °C, Short 60 °C, Glass 40 °C, Quick 45 °C, Pre-rinse
- 4 special options: Remote Start, VarioSpeed Plus, Hygiene Plus, Extra Dry
- Special program 1: Machine Care
- 6 temperatures
- Zeolith - Energy efficient and perfect drying results

Flexible design elements

- VarioFlex Pro basket system Basket system with red coloured touchpoints
- VarioDrawer Pro
- 3 stage Rackmatic height-adjustable top basket
- Lower rack handle: BO s/s-middle grey-red
- 6 foldable plate racks in top basket
- 8 foldable plate racks in bottom basket
- Upper rack cup shelf
- Glass rack in bottom basket

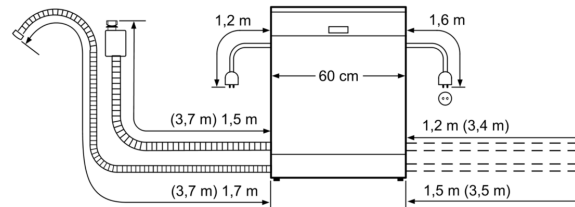
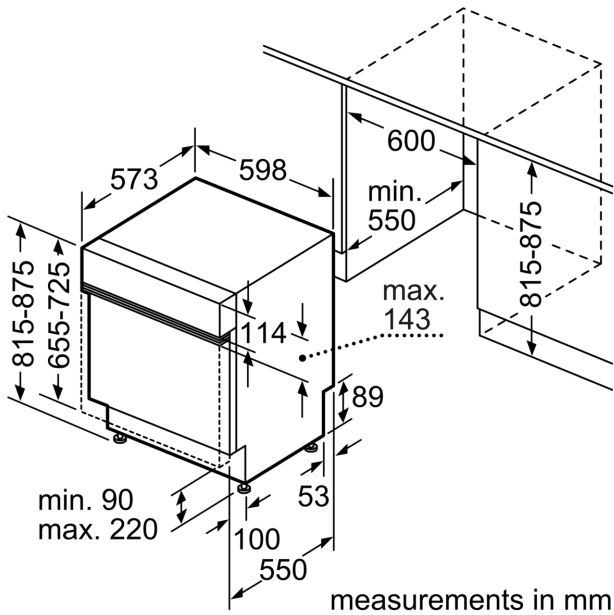
Innovations and technology

- Home Connect ready on WLAN
- Heat exchanger - Hygienic and efficient drying
- DosageAssist detergent dispenser
- Automatic detergent detection
- ActiveWater hydraulic water system
- EcoSilence BLDC drive
- AquaSensor III, Load Sensor
- AquaMix - Glass protection system
- AquaStop: Bosch warranty in case of water damage - for the lifetime of the appliance. Please find warranty terms under <https://www.bosch-home.co.uk/customer-service/care-protection-and-parts/additional-warranties>
- Curved spray arms - Optimum water distribution

Design features

- Touch control
- Real-time clock - actual time is displayed
- Control buttons on front of fascia
- water inlet indicator
- Electronic time delay: 1-24 hours
- Black display with white text
- Tamperproof controls
- Stainless steel interior
- Display colour: Red LED indicators
- LED salt refill indicator, LED rinse aid refill indicator
- Alternating spray arms
- steam protection plate
- Self-cleaning filter system with 3 piece corrugated filter
- Front-adjustable rear foot
- Dimensions (HxWxD): 81.5 x 59.8 x 57.3cm
- Efficiency information relates to the Eco50 programme. This programme is suitable for cleaning normally soiled tableware and is the most efficient programme in terms of combined energy and water consumption.

**Series 6, semi-integrated
dishwasher, 60 cm, Stainless steel
SMI68TS06E**



() Werte mit Verlängerungssatz