

## Series 4, Fully-integrated dishwasher, 60 cm, Variable hinge SMH4HVX14G



### Optional accessories

|          |  |
|----------|--|
| SGZ0BI02 | decorative strips stainless steel 81,5cm |
| SGZ0CL01 | door lock mechanical, straight           |
| SGZ1010  | inlet and outlet hose extension          |
| SGZ8BI00 | Connection rail for divided furniture    |
| SMZ5100  | Vario-cutlery basket                     |
| SMZ5300  | GlassSecure Tray                         |

## Flexible loading and smart remote control of your VarioHinge dishwasher via the Home Connect app. VarioHinge the perfect solution for installations with low plinth heights and high built-in situations.

- **Extra Dry:** extra drying option for difficult-to-dry loads.
- **Rackmatic:** even more adjustment options and maximum flexibility.
- **Vario Hinge:** A perfect design match thanks to Vario Hinge.
- **VarioFlex-baskets and VarioDrawer:** enhanced flexibility options with more space on all levels.
- **Bosch Home Connect app:** home appliances with smart connectivity for an easier everyday life.

### Technical Data

|   |                                    |
|---|------------------------------------|
| Energy Efficiency Class <sup>1</sup> :                          | .....C                             |
| Energy Consumption for 100 cycles Eco Programme <sup>2</sup> :  | ..... 75 kWh/100 cycles            |
| Maximum number of place settings:                               | ..... 14                           |
| The water consumption of the eco programme in liters per cycle: | ..... 9.0 l                        |
| Programme duration <sup>3</sup> :                               | ..... 4:55 h                       |
| Airborne acoustical noise emissions :                           | .....46 dB(A) re 1pW               |
| Airborne acoustical noise emission class:                       | .....C                             |
| Built-in / Free-standing:                                       | ..... Built-in                     |
| Height of removable worktop:                                    | ..... 0 mm                         |
| Required niche size for installation (HxWxD):                   | .....815-875 x 600 x 550 mm        |
| Depth with open door 90 degree:                                 | ..... 1150 mm                      |
| Adjustable feet:  | ..... Yes - all from front         |
| Maximum adjustability feet:                                     | ..... 60 mm                        |
| Adjustable plinth:  | ..... Both horizontal and vertical |
| Net weight:   | .....34.4 kg                       |
| Gross weight:   | ..... 36.2 kg                      |
| Connection rating:  | ..... 2400 W                       |
| Fuse protection:  | .....10 A                          |
| Voltage:  | ..... 220-240 V                    |
| Frequency:  | ..... 50; 60 Hz                    |
| Length electrical supply cord:                                  | ..... 175 cm                       |
| Plug type:  | ..... GB plug                      |
| Length inlet hose:  | ..... 165 cm                       |
| Length outlet hose:   | ..... 190 cm                       |
| EAN code:   | .....4242005566174                 |
| Installation typology:  | ..... Integrated                   |



<sup>1</sup> Scale of Energy Efficiency Classes from A to G  
<sup>2</sup> Energy consumption in kWh per 100 cycles (in programme Eco 50 °C)  
<sup>3</sup> Duration of programme Eco 50 °C

## Series 4, Fully-integrated dishwasher, 60 cm, Variable hinge SMH4HVX14G

**Flexible loading and smart remote control of your VarioHinge dishwasher via the Home Connect app. VarioHinge the perfect solution for installations with low plinth heights and high built-in situations.**

- Energy Efficiency Class<sup>1</sup>: C
- Energy<sup>2</sup> / Water<sup>3</sup>: 75 kWh / 9 litres
- Capacity: 14 place settings
- Programme duration<sup>4</sup>: 4:55 (h:min)
- Noise level: 46 dB(A) re 1 pW
- Noise Efficiency Class: C
- Noise level (silence programme): 45 dB(A) re 1 pW

### Performance

- 6 programmes: Eco 50 °C, Auto 45-65 °C, Intensive 70 °C, Express 65°, Silence 50 °C, Favourite
- Default favourite programme: Pre-Rinse
- 4 special options: Remote Start, Extra Dry, Half Load, SpeedPerfect+
- Machine Care
- Add-On functions via Home Connect app: Hygiene+, Silence on Demand

### Innovations and technology

- Heat exchanger - Hygienic and efficient drying
- AquaSensor III
- DosageAssist detergent dispenser
- EcoSilence BLDC drive
- Self-cleaning filter system with 3 piece corrugated filter
- Stainless steel/Polinox interior

### Programmes / functions

- Vario Flex baskets
- VarioDrawer - loading of cutlery on 3rd level
- 3 stage Rackmatic height-adjustable top basket
- Low friction wheels on bottom basket
- Rack Stopper to prevent derailing of bottom basket
- 2 foldable plate racks in top basket
- 4 foldable plate racks in bottom basket
- Upper rack cup shelf

### Design features

- Home Connect ready on WLAN
- Push button top edge controls
- English GB
- InfoLight (Red) - Light projection on the floor
- Acoustic end of cycle indicator, Time remaining indicator (min), water inlet indicator
- Acoustic end of cycle indicator
- Time delay (3, 6 or 24 hours)

### Flexible design elements

- AquaStop: Bosch's warranty in case of water damage - for the

lifetime of the appliance. Please find warranty terms under <https://www.bosch-home.co.uk/customer-service/care-protection-and-parts/additional-warranties>

- VarioHinge 50mm
- AquaMix - Glass protection system
- incl. Steam protection for worktop
- Dimensions (HxWxD): 81.5 x 59.8 x 55cm

<sup>1</sup> Scale of Energy Efficiency Classes from A to G

<sup>2</sup> Energy consumption in kWh per 100 cycles (in programme Eco 50 °C)

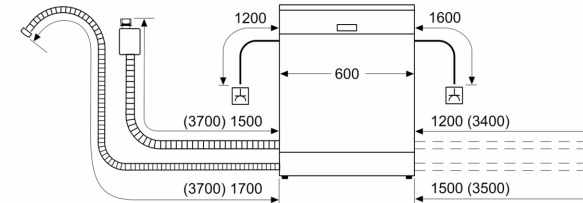
<sup>3</sup> Water consumption in litres per cycle (in programme Eco 50 °C)

<sup>4</sup> Duration of programme Eco 50 °C

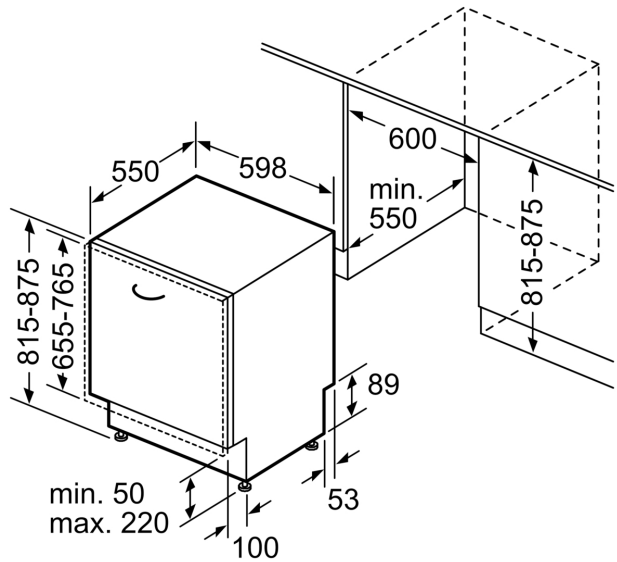
\* Please find warranty terms under <https://www.siemens-home.bsh-group.com/uk/customer-service/warranty/additional-warranties>

## Series 4, Fully-integrated dishwasher, 60 cm, Variable hinge SMH4HVX14G

measurements in mm



⌘ socket  
( ) values with extension kit



measurements in mm