

Series 6, Fully-integrated dishwasher, 60 cm SMD6ZCX61G



Optional accessories

SGZ8BI00	Connection rail for divided furniture
SMZ5035	Decor conversion kit, stainless steel
SMZ5100	Vario-cutlery basket
SMZ5300	GlassSecure Tray
SGZ0BI01	decorative strips stainless steel 81,5cm
SGZ0IC00	Small Item Clip for upper rack
SGZ1010	inlet and outlet hose extension

PerfectDry dishwashers for best drying results with Extra Clean Zone for spotless clean dishes.

- **PerfectDry:** perfect drying results with low energy consumption, even for hard-to-dry items.
- **Rackmatic:** even more adjustment options and maximum flexibility.
- **Max Flex baskets:** flexible and stable loading for your dishes
- **TimeLight:** program status and remaining time clearly displayed on floor in high resolution.
- **Bosch Home Connect app:** home appliances with smart connectivity for an easier everyday life.

Technical Data

Energy Efficiency Class ¹ :C
Energy Consumption for 100 cycles Eco Programme ² : 74 kWh/100 cycles
Maximum number of place settings: 13
The water consumption of the eco programme in liters per cycle:	7.7 l
Programme duration ³ : 3:45 h
Airborne acoustical noise emissions :44 dB(A) re 1pW
Airborne acoustical noise emission class:B
Built-in / Free-standing: Built-in
Height of removable worktop: 0 mm
Required niche size for installation (HxWxD):815-875 x 600 x 550 mm
Depth with open door 90 degree: 1150 mm
Adjustable feet: Yes - all from front
Maximum adjustability feet: 60 mm
Adjustable plinth: Both horizontal and vertical
Net weight:41.8 kg
Gross weight: 44.0 kg
Connection rating: 2400 W
Fuse protection:10 A
Voltage: 220-240 V
Frequency: 50; 60 Hz
Length electrical supply cord: 175 cm
Plug type: GB plug
Length inlet hose: 165 cm
Length outlet hose: 190 cm
EAN code:4242005546541
Installation typology: Integrated



¹ Scale of Energy Efficiency Classes from A to G
² Energy consumption in kWh per 100 cycles (in programme Eco 50 °C)
³ Duration of programme Eco 50 °C

Series 6, Fully-integrated dishwasher, 60 cm SMD6ZCX61G

PerfectDry dishwashers for best drying results with Extra Clean Zone for spotless clean dishes.

- Energy Efficiency Class¹: C
- Energy² / Water³: 74 kWh / 7.7 litres
- Capacity: 13 place settings
- Programme duration⁴: 3:45 (h:min)
- Noise level: 44 dB(A) re 1 pW
- Noise Efficiency Class: B
- Noise level (silence programme): 42 dB(A) re 1 pW

Performance

- 7 programmes: Eco 50 °C, Auto 45-65 °C, Intensive 70 °C, Express 60 °C, Express 45 °C 45 °C, Silence 50 °C, Favourite
- Default favourite programme: Pre-Rinse
- 4 special options: Remote Start, Extra Dry, Intensive Zone, SpeedPerfect+
- Machine Care
- Add-On functions via Home Connect app: Hygiene+, Silence on Demand

Innovations and technology

- Zeolith - Energy efficient and perfect drying results
- Heat exchanger - Hygienic and efficient drying
- AquaSensor III
- Water management system
- DosageAssist detergent dispenser
- EcoSilence BLDC drive
- Self-cleaning filter system with 3 piece corrugated filter
- Stainless steel interior

Programmes / functions

- Max Flex baskets Basket system with red coloured touchpoints
- Extra Clean Zone
- VarioDrawer - loading of cutlery on 3rd level
- 3 stage Rackmatic height-adjustable top basket
- Smooth running wheels on upper basket
- Low friction wheels on bottom basket
- Anti-slip protection strips in upper basket
- Rack Stopper to prevent derailing of bottom basket
- 2 foldable plate racks in top basket
- 6 foldable plate racks in bottom basket
- Upper rack cup shelf
- Lower rack cup shelf

Design features

- Home Connect ready on WLAN
- Touch Control (metallic)
- Push button top edge controls
- English GB
- TimeLight - Light projection on the floor
- Acoustic end of cycle indicator, Time remaining indicator (min),

- water inlet indicator
- Acoustic end of cycle indicator
- Time delay (3, 6 or 24 hours)

Flexible design elements

- AquaStop: Bosch's warranty in case of water damage - for the lifetime of the appliance. Please find warranty terms under <https://www.bosch-home.co.uk/customer-service/care-protection-and-parts/additional-warranties>
- ChildLock - double push to open
- DoorOpen Assist - perfectly designed for kitchens without handles
- AquaMix - Glass protection system
- Includes salt filling funnel
- incl. Steam protection for worktop
- Dimensions (HxWxD): 81.5 x 59.8 x 55cm

¹ Scale of Energy Efficiency Classes from A to G

² Energy consumption in kWh per 100 cycles (in programme Eco 50 °C)

³ Water consumption in litres per cycle (in programme Eco 50 °C)

⁴ Duration of programme Eco 50 °C

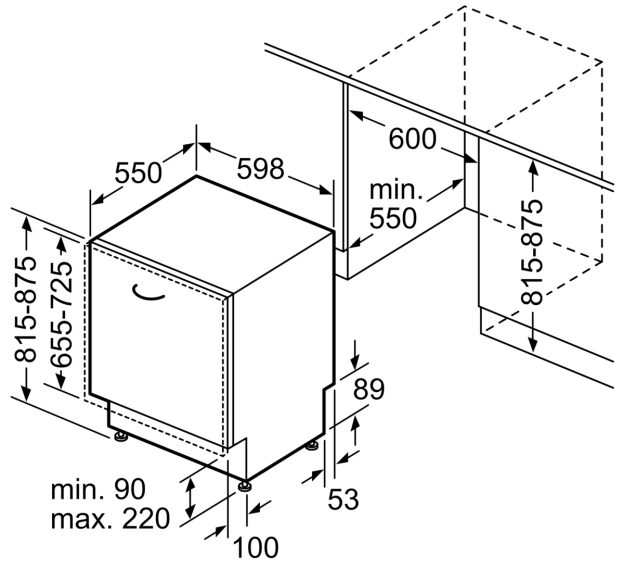
* Please find warranty terms under <https://www.siemens-home.bsh-group.com/uk/customer-service/warranty/additional-warranties>

Series 6, Fully-integrated dishwasher, 60 cm SMD6ZCX61G

measurements in mm



⏏ socket
() values with extension kit



measurements in mm