

**Series 4, Fully-integrated dishwasher, 60 cm, , Variable hinge SBH4HVX00G**



**Flexible loading and smart remote control of your VarioHinge dishwasher via the Home Connect app. VarioHinge the perfect solution for installations with low plinth heights and high built-in situations.**

- A perfect design match thanks to Vario Hinge. Leaving no gaps even in kitchens with low plinth heights and high built-in solutions.
- XXL dishwashers: are 5cm larger than standard dishwashers, creating more space for larger dishes.
- ExtraDry: extra drying option for difficult-to-dry loads.
- InfoLight: a red light on the floor indicates whether the dishwasher is switched on or off.
- Home Connect: home appliances with smart connectivity for an easier everyday life.

**Technical Data**

Energy Efficiency Class: .....D  
 Energy Consumption for 100 cycles Eco Programme: ..... 85 kWh  
 Maximum number of place settings: ..... 14  
 The water consumption of the eco programme in liters per cycle: 9.0 l  
 Programme duration: ..... 4:30 h  
 Airborne acoustical noise emissions : .....46 dB(A) re 1 pW  
 Airborne acoustical noise emission class: .....C  
 Built-in / Free-standing: ..... Built-in  
 Height of removable worktop: ..... 0 mm  
 Dimensions of the product (HxWxD): .....865 x 598 x 550 mm  
 Min. required niche size for installation (HxWxD): ....865-925 x 600 x 550 mm  
 Depth with open door 90 degree: ..... 1200 mm  
 Adjustable feet: ..... Yes - all from front  
 Maximum adjustability feet: ..... 60 mm  
 Adjustable plinth: ..... Both horizontal and vertical  
 Net weight: .....35.2 kg  
 Gross weight: ..... 37.3 kg  
 Connection rating: ..... 2400 W  
 Fuse protection: .....10 A  
 Voltage: ..... 220-240 V  
 Frequency: ..... 50; 60 Hz  
 Length electrical supply cord: ..... 175.0 cm  
 Plug type: ..... GB plug  
 Length inlet hose: ..... 165 cm  
 Length outlet hose: ..... 190 cm  
 EAN code: ..... 4242005470365  
 Installation typology: ..... Integrated

**Optional accessories**

SGZ0BI22	decorative strips stainless steel 86,5cm
SGZ1010	inlet and outlet hose extension
SGZ8BI00	Connection rail for divided furniture
SMZ2014	Rack insert for stemware dishwasher
SMZ5000	Dishwashing aid set
SMZ5100	Vario-cutlery basket
SMZ5300	GlassSecure Tray



## Series 4, Fully-integrated dishwasher, 60 cm, , Variable hinge SBH4HVX00G

**Flexible loading and smart remote control of your VarioHinge dishwasher via the Home Connect app. VarioHinge the perfect solution for installations with low plinth heights and high built-in situations.**

- Self-cleaning filter system with 3 piece corrugated filter
- steam protection plate
- Stainless steel/Polinox interior
- Dimensions (HxWxD): 86.5 x 59.8 x 55cm

<sup>1</sup> Scale of Energy Efficiency Classes from A to G

<sup>2</sup> Energy consumption in kWh per 100 cycles (in programme Eco 50 °C)

<sup>3</sup> Water consumption in litres per cycle (in programme Eco 50 °C)

<sup>4</sup> Duration of programme Eco 50 °C

### Performance

- Energy Efficiency Class<sup>1</sup>: D
- Energy<sup>2</sup> / Water<sup>3</sup>: 85 kWh / 9 litres
- Capacity: 14 place settings
- Programme duration<sup>4</sup>: 4:30 (h:min)
- Noise level: 46 dB(A) re 1 pW
- Noise Efficiency Class: C

### Programmes / functions

- 6 programmes: Eco 50 °C, Auto 45-65 °C , Intensive 70 °C, Express 65°, Glass 40 °C, Favourite
- Default favourite programme: Pre-Rinse
- 4 special options: Remote Start, Extra Dry, Half Load, SpeedPerfect+
- Add-On functions via Home Connect app: Hygiene+, Silence on Demand
- Machine Care

### Flexible design elements

- Vario Flex baskets
- Vario Drawer - loading of cutlery on 3rd level
- 3 stage Rackmatic height-adjustable top basket
- Low friction wheels on bottom basket
- Rack Stopper to prevent derailing of bottom basket
- 2 foldable plate racks in top basket
- 4 foldable plate racks in bottom basket
- Upper rack cup shelf

### Innovations and technology

- Home Connect ready on WLAN
- Heat exchanger - Hygienic and efficient drying
- DosageAssist detergent dispenser
- EcoSilence BLDC drive
- Automatic detergent detection
- AquaSensor III
- AquaMix - Glass protection system

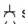
### Design features

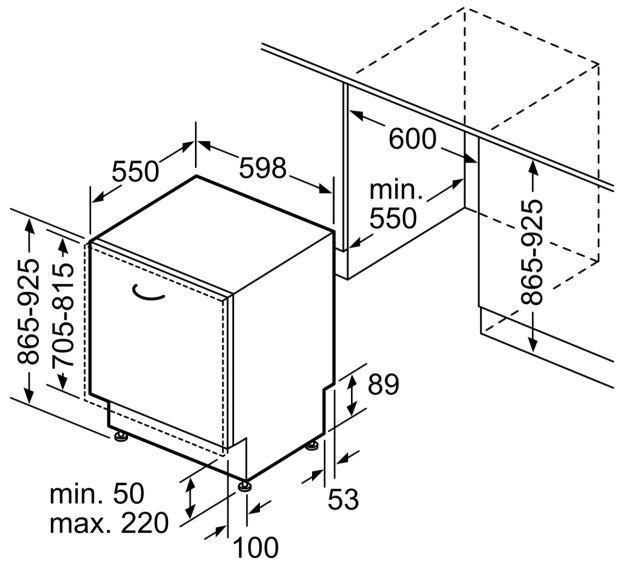
- VarioHinge 50mm
- Push button top edge controls
- InfoLight (Red) - Light projection on the floor
- Time delay (3, 6 or 24 hours)
- Acoustic end of cycle indicator
- AquaStop: Bosch's warranty in case of water damage - for the lifetime of the appliance. Please find warranty terms under <https://www.bosch-home.co.uk/customer-service/care-protection-and-parts/additional-warranties>

## Series 4, Fully-integrated dishwasher, 60 cm, , Variable hinge SBH4HVX00G

measurements in mm



 socket  
 ( ) values with extension kit



measurements in mm