

**Serie | 4, Fully-integrated dishwasher,
60 cm, XXL
SBE46NX01G**



Optional accessories

SGZ1010 : inlet and outlet hose extention
 SMZ5015 : Compensating panels, stainless steel 86
 SMZ5045 : Decor conversion kit, stainless steel
 SMZ5100 : Vario-cutlery basket

Gentle - even to your ear. Our SilencePlus.

- **ExtraDry:** extra drying option for difficult-to-dry loads.
- **Silence Plus:** pleasantly quiet at 46 dB.
- **Glass 40°C:** gentle cleaning for your delicate glassware.
- **VarioFlex-baskets and VarioDrawer:** enhanced flexibility options with more space on all levels.
- **VarioDrawer:** 3rd level loading for cutlery and smaller kitchen utensils.

Technical Data

Energy Efficiency Class: E
 Energy Consumption for 100 cycles Eco Programme: 95 kWh
 Maximum number of place settings: 14
 The water consumption of the eco programme in liters per cycle: 9.5 l
 Programme duration: 3:45 h
 Airborne acoustical noise emissions : 46 dB(A) re 1 pW
 Airborne acoustical noise emission class: C
 Construction type: Built-in
 Height of removable worktop: 0 mm
 Dimensions of the product (HxWxD): 865 x 598 x 550 mm
 Required niche size for installation (HxWxD): 865-925 x 600 x 550 mm
 Approval certificates: CE, VDE
 Depth with open door 90 degree: 1200 mm
 Adjustable feet: Yes - all from front
 Maximum adjustability feet: 60 mm
 Adjustable plinth: both horizontal and vertical
 Net weight: 37.2 kg
 Gross weight: 39.5 kg
 Connection rating: 2400 W
 Fuse protection: 10 A
 Voltage: 220-240 V
 Frequency: 50; 60 Hz
 Length of electrical supply cord: 175 cm
 Plug type: GB plug
 Length inlet hose: 165 cm
 Length outlet hose: 190 cm
 EAN code: 4242005171507
 Installation type: Full-integrated



4 242005 171507

Serie | 4, Fully-integrated dishwasher, 60 cm, XXL SBE46NX01G

Gentle - even to your ear. Our SilencePlus.

Performance

- Energy Efficiency Class¹: E
- Energy² / Water³: 95 kWh / 9.5 litres
- Capacity: 14 place settings
- Programme duration⁴: 3:45 (h:min)
- Noise level: 46 dB(A) re 1 pW
- Noise Efficiency Class: C

Programmes/functions

- 6 programmes: Intensive 70 °C, Auto 45-65 °C, Eco 50 °C, Glass 40 °C, 1 hour 65 °C, Quick 45 °C
- 3 special options: VarioSpeed Plus, Hygiene Plus, Extra Dry
- Special program 1: Machine Care
- 5 temperatures

Flexible design elements

- VarioFlex baskets
- VarioDrawer - loading of cutlery on 3rd level
- 3 stage Rackmatic height-adjustable top basket
- Lower rack handle: BO plastic-middle grey-red
- 2 foldable plate racks in top basket
- 4 foldable plate racks in bottom basket
- Upper rack cup shelf

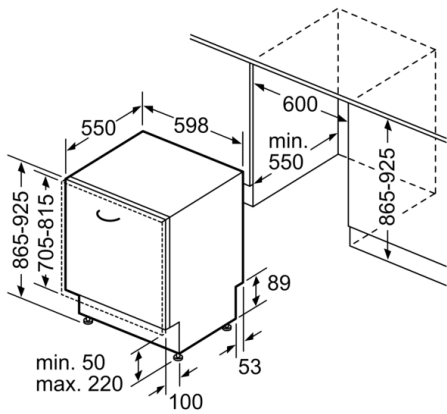
Innovations and technology

- Heat exchanger.
- DosageAssist detergent dispenser
- Automatic detergent detection
- ActiveWater hydraulic water system
- EcoSilence BLDC drive
- AquaSensor III, Load Sensor
- AquaMix - Glass protection system
- AquaStop: Bosch's warranty in case of water damage - for the lifetime of the appliance. Please find warranty terms under <https://www.bosch-home.co.uk/customer-service/care-protection-and-parts/additional-warranties>
- Curved spray arms - Optimum water distribution

Design features

- Push button top edge controls
- Red Info light, Acoustic end of cycle indicator, Time remaining indicator (min), water inlet indicator
- Time delay (3, 6 or 24 hours)
- Stainless steel interior
- LED salt refill indicator, LED rinse aid refill indicator
- Display colour: Red LED indicators
- Alternating spray arms
- Child safety - Childproof door lock
- Large item spray head, steam protection plate
- Self-cleaning filter system with 3 piece corrugated filter
- Acoustic end of cycle indicator
- Front-adjustable rear foot
- Dimensions (HxWxD): 86.5 x 59.8 x 55cm
- ¹ Scale of Energy Efficiency Classes from A to G
- ² Energy consumption in kWh per 100 cycles (in programme Eco 50 °C)
- ³ Water consumption in litres per cycle (in programme Eco 50 °C)
- ⁴ Duration of programme Eco 50 °C

**Serie | 4, Fully-integrated dishwasher, 60 cm,
XXL
SBE46NX01G**



measurements in mm

