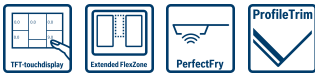
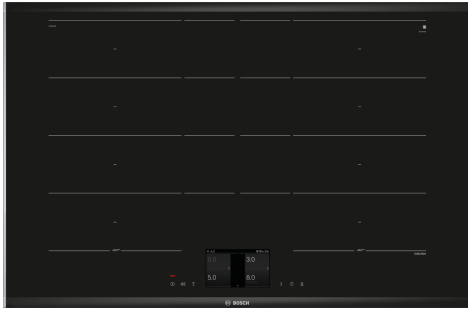


**Series 8, Induction hob, 80 cm,  
Black,  
PXY875KV1E**



- **TFT-touchdisplay:** easy navigation with clear text and vivid colours.
- **Extended FlexZone:** maximum space on your hob for large cookware.
- **PerfectFry:** no more worries about scorching.
- **Home Connect:** Connected home appliances for an easier everyday life.
- **ComfortProfil:** Elegant, appealing design with bevelled front and metal strips on the side.

**Technical Data**

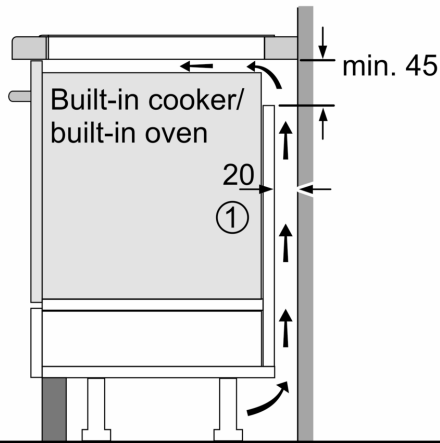
Appliance type: .....Cooking zone ceramic  
 Built-in / Free-standing: ..... Built-in  
 Heating type: .....Electric hob  
 Number of cooking zones: .....4  
 Min. required niche size for installation (HxWxD): .....51 x 750-780 x 490-500 mm  
 Width of the appliance: .....816 mm  
 Dimensions: ..... 51 x 816 x 527 mm  
 Dimensions of the packed product (HxWxD): ..... 130 x 960 x 600 mm  
 Net weight: ..... 15.5 kg  
 Gross weight: ..... 19.2 kg  
 Residual heat indicator: ..... Separate  
 Location of control panel: ..... Front  
 Color of surface: ..... Black, Alu, brushed  
 Length electrical supply cord: ..... 110.0 cm  
 EAN code: .....4242005361328  
 Voltage: ..... 220-240 V  
 Frequency: ..... 50; 60 Hz

**Optional accessories**

- HEZ390012 Steaming Rack for Stainless Steel roaste
- HEZ390512 Teppan Yaki (large)
- HEZ390522 Griddle Plate
- HEZ9ES100 Espresso maker 4 cups
- HEZ9FE280 Iron pan Ø 18 / 28 cm
- HEZ9FF010 Flex Pan, large
- HEZ9FF030 Flex Pan set, 3 pcs.
- HEZ9FF040 Flex Pan set, 4 pcs.
- HEZ9SE040 4 pieces Set
- HEZ9SE060 6 pieces Set
- HEZ9TY010 Teppan Yaki
- HZ390011 Stainless Steel roaster with glas lid

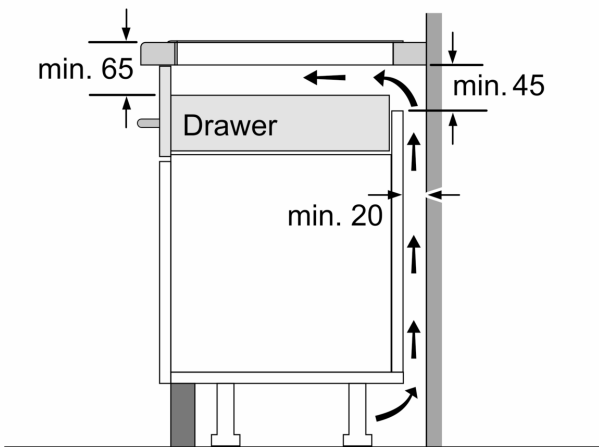


**Series 8, Induction hob, 80 cm,  
Black,  
PXY875KV1E**

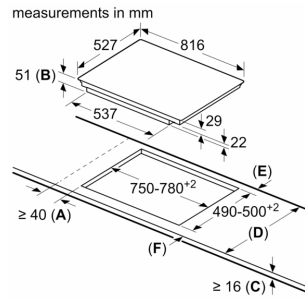


①  
Ventilation gap must  
be present

All measurements in mm



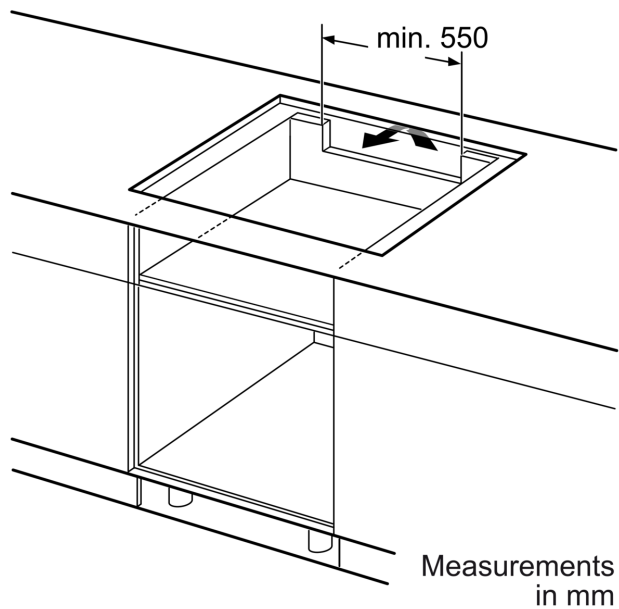
Measurements in mm



**A:** Minimum distance from the hob cut-out to the wall.  
**B:** Recessed depth  
**C:** The clearance between the surface of the worktop and the top of the front of the oven must be 30 mm. See space requirements for the oven.

The worktop into which the hob is installed must withstand loads of approx. 60 kg; suitable substructures must be used if required.

D	E	F
585-600	50	$\geq 35$
> 600	$\geq 50$	$\geq 50$



Measurements  
in mm