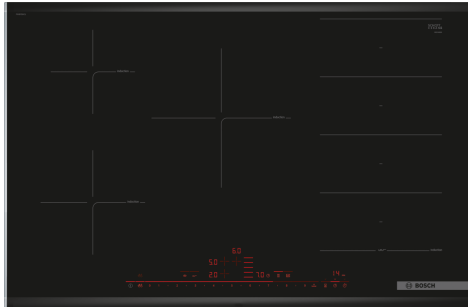


**Series 8, Induction hob, 80 cm,  
Black,  
PXV875DC1E**



**The FlexInduction hob allows you to place multiple pots and pans or large cookware anywhere on the flexible cooking zone.**

- **DirectSelect Premium:** spacious and intuitive touch interface.
- **FlexInduction:** more flexibility on your hob for large pots and pans.
- **PerfectFry:** no more worries about scorching.
- **MoveMode:** the automatic setting of cooking levels allows fast boiling on the front and simmering on the rear cooking zone.
- **PowerBoost:** up to 50% more power for faster heating on your induction hob.

**Technical Data**

Appliance type: .....	Cooking zone ceramic
Built-in / Free-standing: .....	Built-in
Heating type: .....	Electric hob
Number of cooking zones: .....	5
Min. required niche size for installation (HxWxD): .....	51 x 750-780 x 490-500 mm
Width of the appliance: .....	816 mm
Dimensions: .....	51 x 816 x 527 mm
Dimensions of the packed product (HxWxD): .....	126 x 953 x 603 mm
Net weight: .....	14.8 kg
Gross weight: .....	18.5 kg
Residual heat indicator: .....	Separate
Location of control panel: .....	Front
Basic surface material: .....	Ceramic glass
Color of surface: .....	Black, Alu, brushed
Length electrical supply cord: .....	110.0 cm
EAN code: .....	4242002871035
Voltage: .....	220-240 V
Frequency: .....	50; 60 Hz

**Optional accessories**

HEZ32WA00 Wireless food thermometer, HEZ390012 Steaming Rack for Stainless Steel roaste, HEZ390090 Wok Set consisting of 3 Items, HEZ390210 System pan diameter 15 cm, HEZ390220 System pan diameter 19 cm, HEZ390230 System pan diameter 21cm, HEZ390512 Teppan Yaki (large), HEZ390522 Griddle Plate, HEZ394301 Connecting strip, HEZ9ES100 Espresso maker 4 cups, HEZ9FE280 Iron pan Ø 18 / 28 cm, HEZ9FF010 Flex Pan, large, HEZ9FF030 Flex Pan set, 3 pcs., HEZ9FF040 Flex Pan set, 4 pcs., HEZ9SE040 4 pieces Set, HEZ9SE060 6 pieces Set, HEZ9TY010 Teppan Yaki, HZ390011 Stainless Steel roaster with glas lid



## **Series 8, Induction hob, 80 cm, Black, PXV875DC1E**

**The FlexInduction hob allows you to place multiple pots and pans or large cookware anywhere on the flexible cooking zone.**

---

### **Design**

- Profile trim (front facette with side trim)
- 80 cm: space for 5 pots or pans.

### **Flexibility of cooking zones**

- flexInduction zone: use cookware of any shape or size anywhere within the 40cm long zone.
- Cooking zone front left: 180 mm, 1.8 KW (max. power 3.1 KW)
- Cooking zone rear left: 145 mm, 1.4 KW (max. power 2.2 KW)
- Cooking zone middle: 240 mm, 2.2 KW (max. power 3.7 KW)
- Cooking zone rear right: 210 mm, 200 mm, 2.2 KW (max power 3.7 KW)
- Cooking zone front right: 210 mm, 200 mm, 2.2 KW (max. power 3.7 KW)

### **Usage convenience**

- DirectSelect Premium touch control: directly control the power on the extra large illuminated touch bar (invisible when switched off).
- Variable 17-stage power settings for each zone: precisely adapt the heat with 17 power levels (9 main levels and 8 intermediate levels).
- Keep warm function: Keep Warm Function: keep dishes warm at preset low power level.
- Timer for all zones
  - : switches off the cooking zone at the end of the time set (e.g. for boiled eggs).
  - Timer - shows how long the cooktop is in use
  - : an alarm sounds at the end of the time set (e.g. for pasta).
- Count up timer per cooktop
  - : shows how much time has passed since starting the timer (e.g. for potatoes).

### **Time saving & efficiency**

- PowerBoost function for all zones
  - : boil water faster thanks to 50% more energy than at the highest standard level.
  - PanBoost: heat up pans faster than at the highest standard level while protecting the pan coating.
- MoveMode (3 levels): increase or decrease the power level simply by moving the pot forwards or backwards.
- QuickStart function: when switching on, the hob automatically selects the cooking zone with cookware (when placed on a zone whilst the hob is off).
- ReStart function: in case of unintentional switch-off, this feature restores all previous settings by switching on the hob again within 4 seconds.

### **Cooking assistance**

- PerfectFry sensor with 5 temperature settings: prevents overcooking with the automatic temperature regulation of the integrated sensor.

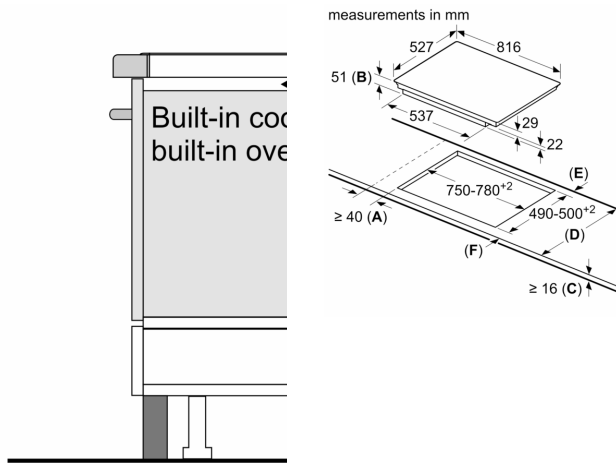
### **Safety**

- 2 stage residual heat indicator for each zone: indicates which cooking zones are still hot or warm.
- Control panel lock: prevent unintended activation of the hob.
- Freeze function: wipe overboiled liquids without unintentionally changing settings (blocking all touch buttons for 30 seconds).
- Main on/off switch: switch off all cooking zones at the touch of a button.



- Automatic safety shut off: for safety reasons, heating stops after a preset time if not used (possible to customise).

**Series 8, Induction hob, 80 cm,  
Black,  
PXV875DC1E**



① Ventilation gap must be present

