

**Serie | 4, Induction hob, 80 cm,
PXE875BB1E**



Included accessories

1 x adjustment strip 750 - 780 mm

Optional accessories

HEZ390011 : Stainless Steel roaster with glas lid
 HEZ390012 : Steaming Rack for Stainless Steel roaste
 HEZ390210 : System pan diameter 15 cm
 HEZ390220 : System pan diameter 19 cm
 HEZ390230 : System pan diameter 21cm
 HEZ390512 : Teppan Yaki (large)
 HEZ390522 : Griddle Plate

The FlexInduction hob allows you to place multiple pots and pans or large cookware anywhere on the flexible cooking zone.

- **TouchSelect:** Selection of the desired cooking zone and easy setting of the desired power level.
- **FlexInduction Zone:** Get more flexibility by combining the cooking zones into one big zone for placing small pots and large cookware.
- **Induction:** Fast, precise cooking, easy cleaning and low energy consumption.
- **PowerBoost:** Up to 50% more power for faster heating.
- **Timer with switch-off function:** Turns off the assigned cooking zone after the set time.
- **ComfortProfil:** Elegant, appealing design with bevelled front and metal strips on the side.

Technical Data

Product name/family :	Cooking zone ceramic
Construction type :	Built-in
Energy input :	Electric
Total number of positions that can be used at the same time :	4
Required niche size for installation (HxWxD) :	51 x 750-780 x 490-500
Width of the product (mm) :	816
Dimensions of the product (mm) :	51 x 816 x 527
Dimensions of the packed product (HxWxD) (mm) :	126 x 953 x 608
Net weight (kg) :	15.643
Gross weight (kg) :	17.1
Residual heat indicator :	Separate
Location of control panel :	Hob front
Basic surface material :	Ceramic
Color of surface :	Black
Approval certificates :	AENOR, CE
Length of electrical supply cord (cm) :	110
EAN code :	4242005097272
Electrical connection rating (W) :	7400
Voltage (V) :	220-240
Frequency (Hz) :	50; 60



Serie | 4, Induction hob, 80 cm, PXE875BB1E

The FlexInduction hob allows you to place multiple pots and pans or large cookware anywhere on the flexible cooking zone.

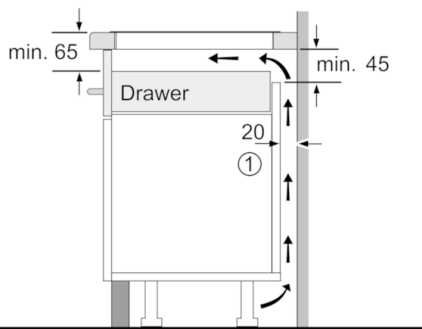
Special features

- Flex zone
- 4 induction cooking zones
- TouchControl
- Digital display
- Variable 17-stage power settings for each zone
- Timer for all zones
 - Timer - shows how long the cooktop is in use
- Zone 28cm single printing
- Automatic pan recognition sensor
 - Automatic safety shut off
 - Control panel lock
- QuickStart function
- ReStart function
- Energy consumption display
- PowerBoost function for all zones
- Power and size:
 - Cooking zones: 1 x Ø 400 mmx240 mm, 3.3 KW (max. Power levels 3.7 KW) Induction or 2 x Ø 200 mm, 2.2 KW (max. Powerlevels 3.7 KW) Induction; 1 x Ø 280 mm, 2.6 KW (max. Power levels 3.7 KW) Induction; 1 x Ø 145 mm, 1.4 KW (max. Power levels 2.2 KW) Induction
- Installation dimensions: (ID/W/D) 51 mm x 750 mm x 490 mm
- Appliance dimensions: (W/D) 816 mm x 527 mm
- Cable included
- Connected load: 7.4 kW
- Min. worktop thickness: 30 mm

Safety Features

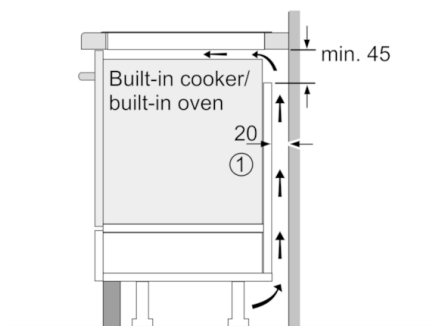
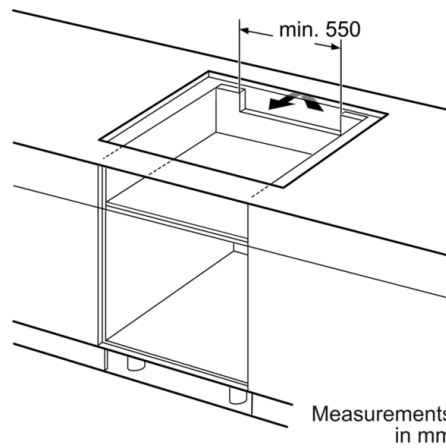
- 2 stage residual heat indicator for each zone
- Main on/off switch

**Serie | 4, Induction hob, 80 cm,
PXE875BB1E**



① Ventilation gap must be present.

Measurements in mm



① Ventilation gap must be present

All measurements in mm