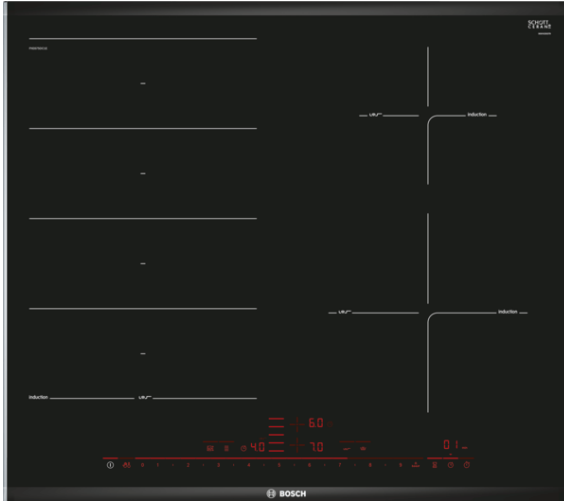


**Serie | 8, Induction hob, 60 cm, Black
PXE675DC1E**



The induction hob with PerfectFry: achieve perfect frying results thanks to automatic temperature control.

- **DirectSelect Premium:** Direct, simple selection of the cooking zone, power and additional functions.
- **FlexInduction Zone:** Get more flexibility by combining the cooking zones into one big zone for placing small pots and large cookware.
- **PerfectFry:** For perfect browning of roasted foods thanks to sensor control with 5 power levels.
- **MoveMode:** the automatic setting of cooking levels allows fast boiling on the front and simmering on the rear cooking zone.
- **PowerBoost:** Up to 50% more power for faster heating.

Technical Data

| | |
|---|------------------------|
| Product name/family : | Cooking zone ceramic |
| Construction type : | Built-in |
| Energy input : | Electric |
| Total number of positions that can be used at the same time : | 4 |
| Required niche size for installation (HxWxD) : | 51 x 560-560 x 490-500 |
| Width of the appliance : | 606 |
| Dimensions : | 51 x 606 x 527 |
| Dimensions of the packed product (HxWxD) (mm) : | 126 x 753 x 603 |
| Net weight (kg) : | 14.071 |
| Gross weight (kg) : | 15.3 |
| Residual heat indicator : | Separate |
| Location of control panel : | Hob front |
| Basic surface material : | Ceramic |
| Color of surface : | Black |
| Approval certificates : | AENOR, CE |
| Length of electrical supply cord (cm) : | 110 |
| EAN code : | 4242002849003 |
| Electrical connection rating (W) : | 7400 |
| Voltage (V) : | 220-240 |
| Frequency (Hz) : | 60; 50 |



Serie | 8, Induction hob, 60 cm, Black PXE675DC1E

The induction hob with PerfectFry: achieve perfect frying results thanks to automatic temperature control.

Design

- Profile trim (front facette with side trim)

Special features

- 4 induction cooking zones
- 4 zone FlexInduction hob
- DirectSelect Premium touch control
- Electronic display, red
- MoveMode: MoveMode (3 levels)
- Variable 17-stage power settings for each zone
- Timer for all zones
 - Timer - shows how long the cooktop is in use
 - Count up timer per cooktop
- Automatic pan recognition sensor
 - Automatic safety shut off
 - Control panel lock
 - Control panel lock function
- QuickStart function
- ReStart function
- Energy consumption display
- Cable included
- Connected load: 7.4 KW

Power and size

- Cooking zones: 1 x Ø 380 mmx240 mm, 3.3 KW (max. Power levels 3.7 KW) Induction or 2 x Ø 190 mm, 2.2 KW (max. Powerlevels 3.7 KW) Induction; 1 x Ø 145 mm, 1.4 KW (max. Power levels 2.2 KW) Induction; 1 x Ø 210 mm, 2.2 KW (max. Power levels 3.7 KW) Induction
- Min. worktop thickness: 16 mm

Safety Features

- 2 stage residual heat indicator for each zone
- Main on/off switch

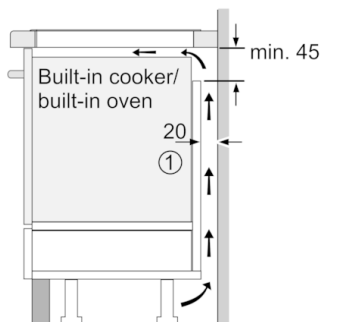
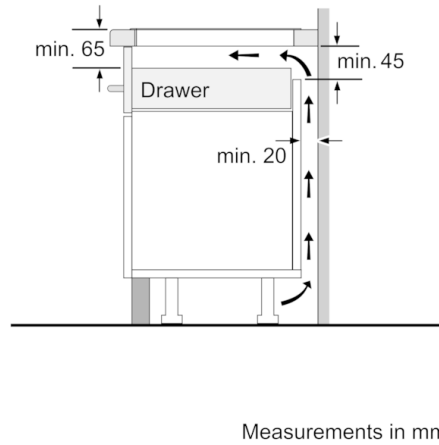
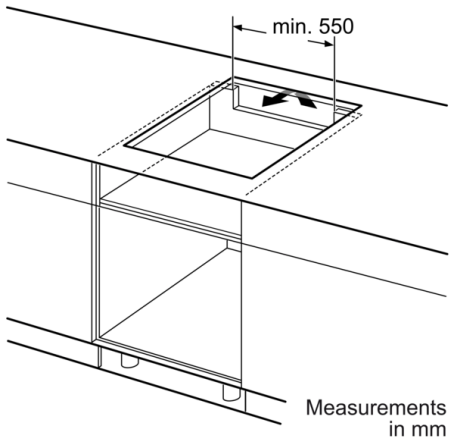
Control

- PerfectFry sensor with 5 temperature settings

Quickness

- PowerBoost function for all zones
- PanBoost

**Serie | 8, Induction hob, 60 cm, Black
PXE675DC1E**



① Ventilation gap must be present

All measurements in mm

