

Serie | 6, Induction hob, 60 cm, Black PXE651FC1E



Optional accessories

- HEZ390012 : Steaming Rack for Stainless Steel roaste
- HEZ390512 : Teppan Yaki (large)
- HEZ390522 : Griddle Plate
- HZ390011 : Stainless Steel roaster with glas lid

The FlexInduction hob allows you to place multiple pots and pans or large cookware anywhere on the flexible cooking zone.

- **DirectSelect:** Direct, simple selection of the desired cooking zone, power and additional functions.
- **FlexInduction:** more flexibility on your hob for large pots and pans.
- **PerfectFry:** no more worrying about scorching.
- **U-Bevel:** Elegant, appealing design with bevelled front and sides.
- **PowerBoost:** up to 50% more power for faster heating on your induction hob.

Technical Data

- Product name/family : Cooking zone ceramic
- Construction type : Built-in
- Energy input : Electric
- Total number of positions that can be used at the same time : 4
- Required niche size for installation (HxWxD) : 51 x 560-560 x 490-500 mm
- Width of the appliance : 592 mm
- Dimensions : 51 x 592 x 522 mm
- Dimensions of the packed product (HxWxD) : 126 x 753 x 603 mm
- Net weight : 14.1 kg
- Gross weight : 15.3 kg
- Residual heat indicator : Separate
- Location of control panel : Hob front
- Basic surface material : Ceramic
- Color of surface : Black
- Approval certificates : AENOR, CE
- Length of electrical supply cord : 110 cm
- EAN code : 4242002848822
- Electrical connection rating : 7400 W
- Voltage : 220-240 V
- Frequency : 60; 50 Hz



4 242002 848822

Serie | 6, Induction hob, 60 cm, Black PXE651FC1E

The FlexInduction hob allows you to place multiple pots and pans or large cookware anywhere on the flexible cooking zone.

Design

- Three sided bevelled frameless finish
- 60 cm: space for 4 pots or pans.

Flexibility of cooking zones

- flexInduction zone: use cookware of any shape or size anywhere within the 40cm long zone.
- Cooking zone front left: 240 mm, 200 mm, 2.2 KW (max. power 3.7 KW)
- Cooking zone rear left: 240 mm, 200 mm, 2.2 KW (max. power 3.7 KW)
- Cooking zone rear right: 145 mm , 1.4 KW (max power 2.2 KW)
- Cooking zone front right: 210 mm, 2.2 KW (max. power 3.7 KW)

Usage convenience

- DirectSelect: directly control the power with the imprinted touch bar.
- Variable 17-stage power settings for each zone: precisely adapt the heat with 17 power levels (9 main levels and 8 intermediate levels).
- Timer for all zones
: switches off the cooking zone at the end of the time set (e.g. for boiled eggs).
- Timer - shows how long the cooktop is in use
: an alarm sounds at the end of the time set (e.g. for pasta).

Time saving & efficiency

- PowerBoost function for all zones
: boil water faster thanks to 50% more energy than at the highest standard level.
- QuickStart function: when switching on, the hob automatically selects the cooking zone with cookware (when placed on a zone whilst the hob is off).
- ReStart function: in case of unintentional switch-off, this feature restores all previous settings by switching on the hob again within 4 seconds.

Cooking assistance

- 4 frying levels: prevents overcooking with the automatic temperature regulation of the integrated sensor.

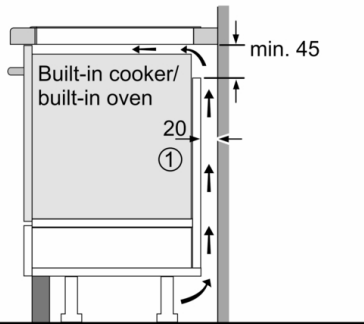
Safety

- 2 stage residual heat indicator for each zone: indicates which cooking zones are still hot or warm.
- Control panel lock: prevent unintended activation of the hob.
- Freeze function: wipe overboiled liquids without unintentionally changing settings (blocking all touch buttons for 30 seconds).
- Main on/off switch: switch off all cooking zones at the touch of a button.
- Automatic safety shut off: for safety reasons, heating stops after a preset time if not used (possible to customise).
- Energy consumption display: shows the electricity consumption of the last cooking process.

Installation

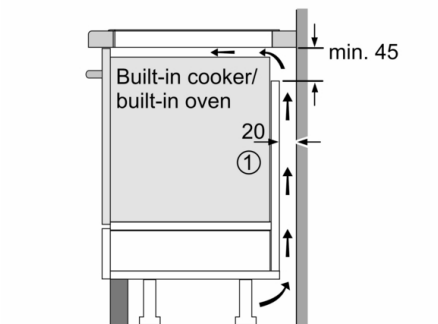
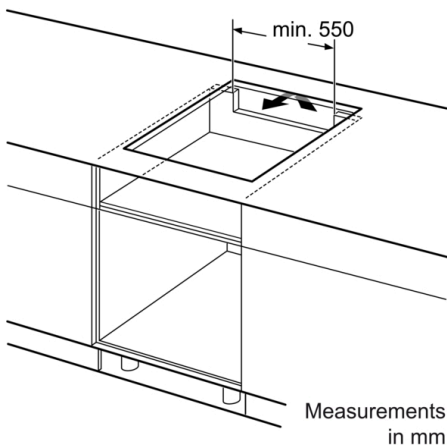
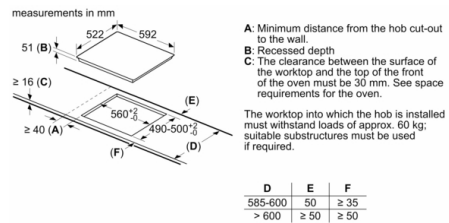
- Dimensions of the product (HxWxD mm): 51 x 592 x 522
- Required niche size for installation (HxWxD mm) : 51 x 560 x (490 - 500)
- Min. worktop thickness: 16 mm
- Connected load: 7.4 KW
- Power management options for 16A, 13A or 10A connection: limit the maximum power if needed (depends on fuse protection of electric installation).
- Power cord: 1.1 m, Cable included

**Serie | 6, Induction hob, 60 cm, Black
PXE651FC1E**



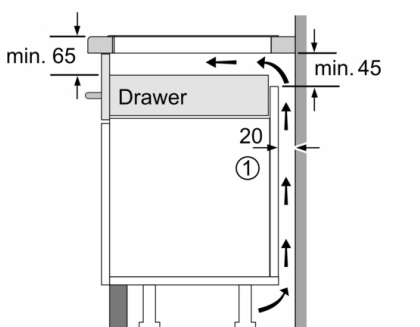
①
Ventilation gap must
be present

All measurements in mm



①
Ventilation gap must
be present

All measurements in mm



①
Ventilation gap must
be present.

Measurements in mm