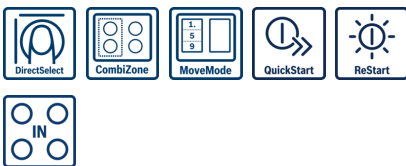
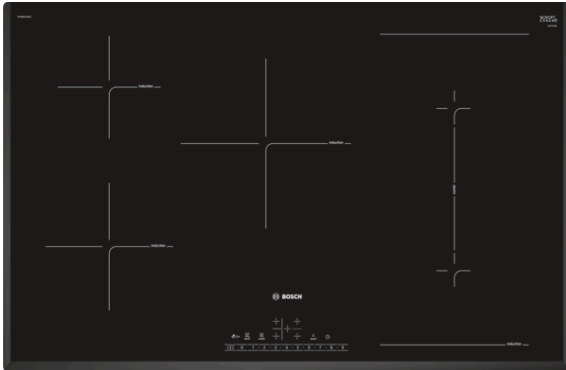


**Serie | 6, Induction hob, 80 cm, Black
PVW851FB1E**



Optional accessories

HEZ9SE030 : Set of 2 pots and 1 pan

The Induction hob: Faster than gas and ceramic hobs, induction is easier to clean and more energy efficient.

- **DirectSelect:** Direct, simple selection of the desired cooking zone, power and additional functions.
- **CombiZone:** More flexibility by combining two cooking zones, for roasters and the like.
- **MoveMode:** the automatic setting of cooking levels allows fast boiling on the front and simmering on the rear cooking zone.
- **PowerBoost:** Up to 50% more power for faster heating.
- **Timer with switch-off function:** Turns off the assigned cooking zone after the set time.

Technical Data

Product name/family :	Cooking zone ceramic
Construction type :	Built-in
Energy input :	Electric
Total number of positions that can be used at the same time :	5
Required niche size for installation (HxWxD) :	51 x 750-750 x 490-500
Width of the appliance :	802
Dimensions :	51 x 802 x 522
Dimensions of the packed product (HxWxD) (mm) :	126 x 953 x 603
Net weight (kg) :	16.323
Gross weight (kg) :	17.8
Residual heat indicator :	Separate
Location of control panel :	Hob front
Basic surface material :	Ceramic
Color of surface :	Black
Approval certificates :	AENOR, CE
Length of electrical supply cord (cm) :	110
EAN code :	4242002870861
Electrical connection rating (W) :	7400
Voltage (V) :	220-240
Frequency (Hz) :	50; 60



Serie | 6, Induction hob, 80 cm, Black PVW851FB1E

The Induction hob: Faster than gas and ceramic hobs, induction is easier to clean and more energy efficient.

Design

- Three sided bevelled frameless finish

Special features

- 5 Induction cooking zones
- DirectSelect
- Digital display, red
- Variable 17-stage power settings for each zone
- Timer for all zones Timer - shows how long the cooktop is in use
- HighSpeed ceramic glass
- Automatic pan recognition sensor Automatic safety shut off
- Control panel lock Control panel lock function
- QuickStart function
- ReStart function
- Energy consumption display
- Cable included
- Connection cable (1.1 m) with cable
- Connected load: 7.4 KW

Power and size

- Cooking zones: 1 x Ø 180 mm, 1.8 KW (max. Power levels 3.1 KW) Induction; 1 x Ø 145 mm, 1.4 KW (max. Power levels 2.2 KW) Induction; 1 x Ø 240 mm, 2.2 KW (max. Power levels 3.7 KW) Induction; 1 x Ø 210 mm, 2.2 KW (max. Power levels 3.7 KW) Induction; 1 x Ø 210 mm, 2.2 KW (max. Power levels 3.7 KW) Induction
- Min. worktop thickness: 16 mm

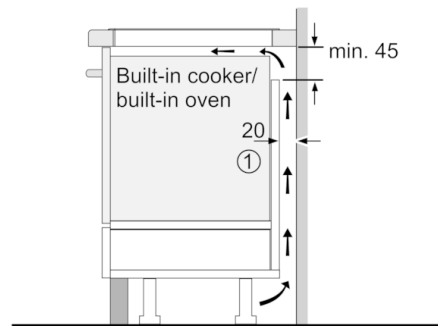
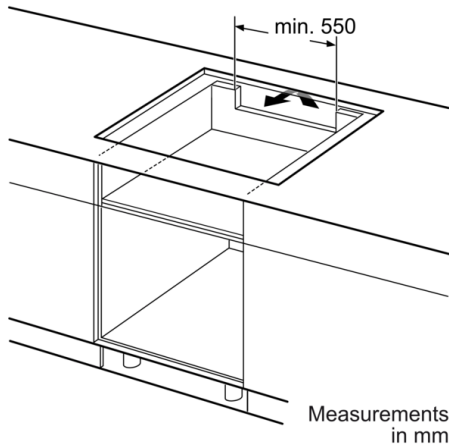
Safety Features

- 2 stage residual heat indicator for each zone
- Main on/off switch

Quickness

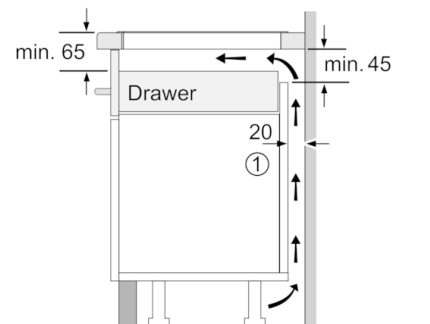
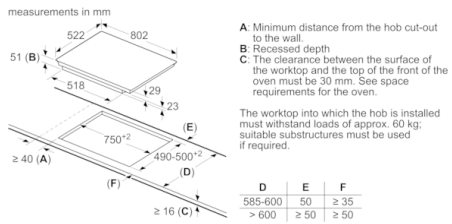
- PowerBoost function for all zones

Serie | 6, Induction hob, 80 cm, Black PVW851FB1E



①
Ventilation gap must
be present

All measurements in mm



①
Ventilation gap must
be present.

Measurements in mm