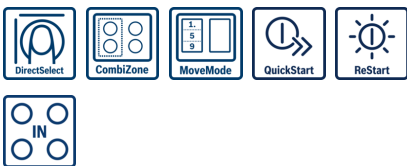
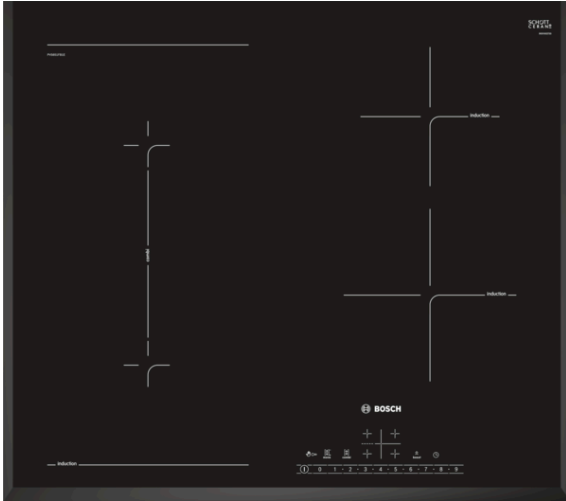


**Serie | 6, Induction hob, 60 cm, Black  
PVS651FB1E**



**Optional accessories**

HEZ9SE030 : Set of 2 pots and 1 pan

**The Induction hob: Faster than gas and ceramic hobs, induction is easier to clean and more energy efficient.**

- **DirectSelect:** Direct, simple selection of the desired cooking zone, power and additional functions.
- **CombiZone:** More flexibility by combining two cooking zones, for roasters and the like.
- **MoveMode:** the automatic setting of cooking levels allows fast boiling on the front and simmering on the rear cooking zone.
- **PowerBoost:** Up to 50% more power for faster heating.
- **Timer with switch-off function:** Turns off the assigned cooking zone after the set time.

**Technical Data**

Product name/family :	Cooking zone ceramic
Construction type :	Built-in
Energy input :	Electric
Total number of positions that can be used at the same time :	4
Required niche size for installation (HxWxD) :	51 x 560-560 x 490-500
Width of the appliance :	592
Dimensions :	51 x 592 x 522
Dimensions of the packed product (HxWxD) (mm) :	126 x 753 x 603
Net weight (kg) :	13.031
Gross weight (kg) :	14.3
Residual heat indicator :	Separate
Location of control panel :	right
Basic surface material :	Ceramic
Color of surface :	Black
Approval certificates :	AENOR, CE
Length of electrical supply cord (cm) :	110
EAN code :	4242002838885
Electrical connection rating (W) :	6900
Voltage (V) :	220-240
Frequency (Hz) :	50; 60



## Serie | 6, Induction hob, 60 cm, Black PVS651FB1E

**The Induction hob: Faster than gas and ceramic hobs, induction is easier to clean and more energy efficient.**

---

### Design

#### Special features

- 4 induction cooking zones
- DirectSelect
- Digital display, red
- Variable 17-stage power settings for each zone
- Timer for all zones Timer - shows how long the cooktop is in use
- HighSpeed ceramic glass
- Automatic pan recognition sensor Automatic safety shut off  
Control panel lock Control panel lock function
- QuickStart function
- ReStart function
- Energy consumption display
- Cable included
- Connection cable (1.1 m ) with cable
- Connected load: 6.9 KW

#### Power and size

- Cooking zones: 1 x Ø 210 mm, 2.2 KW (max. Power levels 3.7 KW) Induction; 1 x Ø 210 mm, 2.2 KW (max. Power levels 3.7 KW) Induction; 1 x Ø 145 mm, 1.4 KW (max. Power levels 2.2 KW) Induction; 1 x Ø 180 mm, 1.8 KW (max. Power levels 3.1 KW) Induction
- Min. worktop thickness: 16 mm

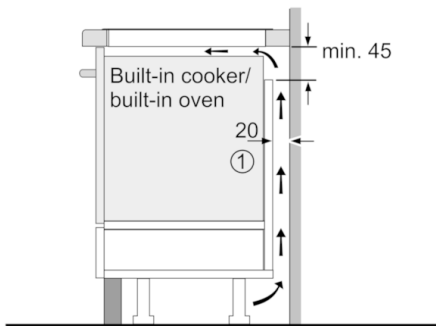
#### Safety Features

- 2 stage residual heat indicator for each zone
- Main on/off switch

#### Quickness

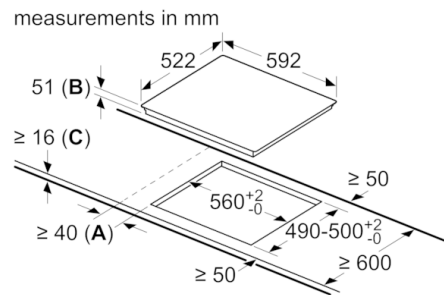
- PowerBoost function for all zones

**Serie | 6, Induction hob, 60 cm, Black  
PVS651FB1E**

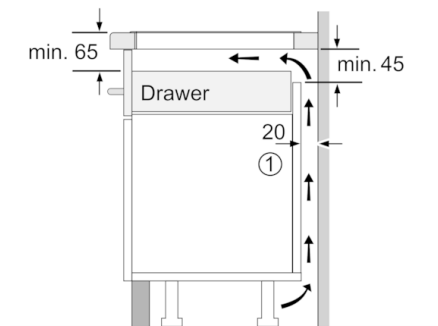
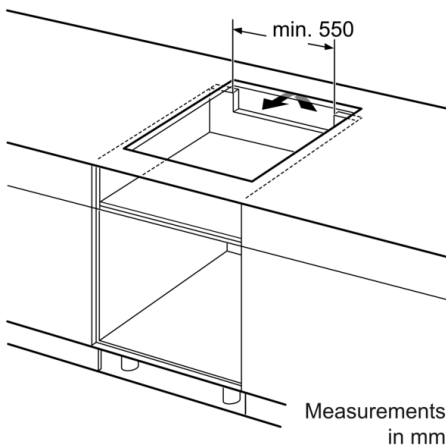


①  
Ventilation gap must  
be present

All measurements in mm



**A:** Minimum distance from the hob cut-out to the wall.  
**B:** Recessed depth  
**C:** With fitted oven underneath min. 30, possibly more; see space requirements for the oven.



①  
Ventilation gap must  
be present.

Measurements in mm