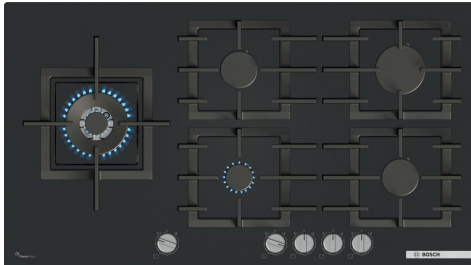


**Series 6, Gas hob, 90 cm, Tempered glass, Black
PPM9A6I40**



Optional accessories

- HEZ32WA00 Wireless food thermometer
- HEZ9SE040 4 pieces Set

The gas hob with precise flame control and easy cleaning thanks to detachable metallic knobs and dishwasher suitable cast iron pan supports.

- **Flame Select:** Enjoy precise control of the flame.
- **Tempered Glass:** for strength and aesthetic.
- **Dishwasher-suitable pan supports:** Easy, scrub-free cleaning.
- **Removable dials:** effortless cleaning, happier cooking.
- **Easy cleaning:** detachable dials and dishwasher-suitable pan supports make cleaning a breeze.

Technical Data

Appliance type: gas hob w integrated controls
 Built-in / Free-standing: Built-in
 Heating type: Gas
 Number of cooking zones: 5
 Required niche size for installation (HxWxD): 45 x 850-850 x 490-500 mm
 Width of the appliance: 915 mm
 Dimensions: 45x915x520 mm
 Dimensions of the packed product (HxWxD): 170x1120x660 mm
 Net weight: 22.9 kg
 Gross weight: 26.3 kg
 Residual heat indicator: Without
 Location of control panel: Front
 Basic surface material: Tempered glass
 Color of surface: Black
 Color of frame: Black
 Length electrical supply cord: 100 cm
 EAN code: 4242005496242
 Gas connection rating: 11500 W
 Fuse protection: 3 A
 Voltage: 220-240 V
 Frequency: 60; 50 Hz



Series 6, Gas hob, 90 cm, Tempered glass, Black PPM9A6I40

- If installed flush, minimum worktop thickness is 30mm.
- Power cord: 1 m
- Connected load: 11.5 KW

The gas hob with precise flame control and easy cleaning thanks to detachable metallic knobs and dishwasher suitable cast iron pan supports.

Design

- Tempered glass surface, Black
- frameless design: install the hob either flush or slightly raised on the worktop
- Cast iron pan supports with rubber feet

Usage convenience

- FlameSelect: precisely control and adjust the flame in nine defined levels.
- Design co-ordinated control dials, front: easily access dials in front with strong grip for effortless turning.
- Ignition via control dials: just push and turn the dials to ignite the flame.

Burners and power

- 5 gas burners:
- Left: wok burner up to 4 KW (depending on gas type)
- Center front: economy burner up to 1 KW (depending on gas type)
- Center rear: standard burner up to 1.75 KW (depending on gas type)
- Right rear: high-speed burner up to 3 KW (depending on gas type)
- Right front: standard burner up to 1.75 KW (depending on gas type)

Cleaning

- Removable control dials for easy cleaning between knobs.
- Dishwasher suitable pan supports for easy cleaning.
- Cast iron pan supports with rubber feet: little weight and compact form, yet high stability due to continuous surface.

Safety

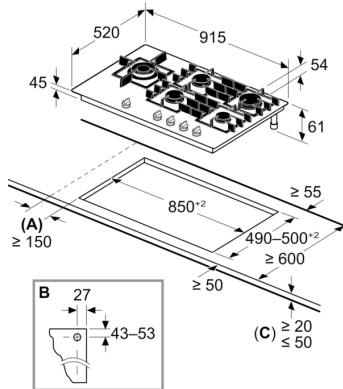
- Flame failure safety device: prevents unwanted gas flow when flame goes out.

Installation (gas types & measurements)

- Usable for: Nat gas L/LL G25/20mbar(DE)
- NG H/E 20mbar, E+ 20/25mbar
- Natural gas H 25 mbar (HU)
- Natural gas L 25 mbar (NL)
- Liquid gas G30,31 28-30/37mbar
- Liquid gas G30 37 mbar (PL)
- Liquid gas 50 mbar
- Pre-set for natural gas
- Nozzle set for LPG jets included. Connection to 28-30/37 mbar bottled gas. Nozzles for all other gas types can be ordered via the customer service. For nozzle change, please contact the customer service.
- Dimensions of the product (HxWxD mm): 54 x 915 x 520
- Required niche size for installation (HxWxD mm) : 45 x 850 x (490 - 500)
- Min. worktop thickness: 20 mm

Series 6, Gas hob, 90 cm, Tempered glass, Black PPM9A6I40

Measurements in mm



A: Min. distance from the hob cut-out to the wall

B: Position of gas connection in the cut-out

C: With fitted oven underneath possibly more; see space requirements for the oven

For worktop thickness between 12 mm to 20 mm need additional spacer, contact customer service for details