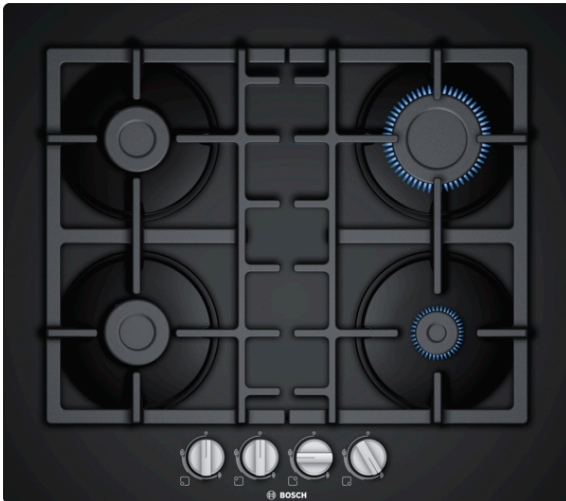


**Serie | 4, Gas hob, 60 cm, Tempered glass  
PNP6B6B90**



**The gas hob with front-mounted controls:  
the desired cooking zones can be  
conveniently operated from the front.**

- **Semi-continuous cast-iron pan support:** for high stability and easy cleaning.
- **Biomethane-ready:** your gas hob can also be powered with renewable biomethane gas.
- Ergonomic control knobs with raised center for precise adjustments.
- **Surface colour:** elegant black tempered-glass design.

---

**Technical Data**

Product name/family : gas hob w integrated controls

Construction type : Built-in

Energy input : Gas

Total number of positions that can be used at the same time : 4

Type of control setting devices : sword knobs

Required niche size for installation (HxWxD) : 45 x 560-562 x 480-492 mm

Width of the appliance : 590 mm

Dimensions : 56 x 590 x 520 mm

Dimensions of the packed product (HxWxD) : 141 x 651 x 578 mm

Net weight : 13.1 kg

Gross weight : 14.0 kg

Residual heat indicator : without

Location of control panel : Hob front

Basic surface material : Tempered glass

Color of surface : Black

Color of frame : Black

Approval certificates : CE, Eurasian

Length of electrical supply cord : 100 cm

EAN code : 4242005134311

Electrical connection rating : 1 W

Gas connection rating : 7500 W

Fuse protection : 3 A

Voltage : 220-240 V

Frequency : 50; 60 Hz



## **Serie | 4, Gas hob, 60 cm, Tempered glass PNP6B6B90**

**The gas hob with front-mounted controls:  
the desired cooking zones can be  
conveniently operated from the front.**

---

### **Design**

- Tempered glass surface, Black
- frameless design: install the hob either flush or slightly raised on the worktop
- Cast iron pan supports with rubber feet

### **Usage convenience**

- Design co-ordinated control dials: easily access dials in front with strong grip for effortless turning.
- Ignition via control dials: just push and turn the dials to ignite the flame.

### **Burners and power**

- 4 gas burners:
- Left front: standard burner up to 1.75 KW (depending on gas type)
- Left rear: Standard burner up to 1.75 KW (depending on gas type)
- Right rear: high-speed burner up to 3 KW (depending on gas type)
- Right front: economy burner up to 1 KW (depending on gas type)

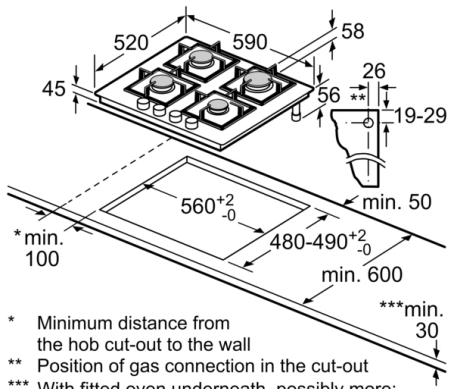
### **Safety**

- Flame failure safety device: prevents unwanted gas flow when flame goes out.

### **Installation (gas types & measurements)**

- Usable for: Nat gas L/LL G25/20mbar(DE)  
NG H/E 20mbar, E+ 20/25mbar Natural gas H 25 mbar (HU)  
Natural gas L 25 mbar (NL) Liquid gas G30,31 28-30/37mbar  
Liquid gas G30 37 mbar (PL) Liquid gas 50 mbar
- Pre-set for natural gas
- Nozzle set for LPG jets included. Connection to 28-30/37 mbar bottled gas. Nozzles for all other gas types can be ordered via the customer service. For nozzle change, please contact the customer service.
- Dimensions of the product (HxWxD mm): 56 x 590 x 520
- Required niche size for installation (HxWxD mm) : 45 x 560 x (480 - 492)
- Min. worktop thickness: 30 mm
- Power cord: 1 m
- Connected load: 7.5 KW

**Serie | 4, Gas hob, 60 cm, Tempered glass  
PNP6B6B90**



- \* Minimum distance from the hob cut-out to the wall
  - \*\* Position of gas connection in the cut-out
  - \*\*\* With fitted oven underneath, possibly more; see space requirements for the oven
- measurements in mm