

**Series 4, Electric hob, 80 cm, surface mount without frame
PKH811BB1D**



Optional accessories

- HEZ32WA00 Wireless food thermometer
- HEZ9SE030 Set of 2 pots and 1 pan

The glass-ceramic radiant hob: makes cooking and cleaning especially easy.

- **Touch Select:** Selection of the desired cooking zone and easy setting of the desired power level.
- **RoasterZone:** An extra cooking zone you can switch on for larger cookware e.g. roasters.
- **The 21cm and 23cm cooking zones:** extendable cooking zones.
- **Frameless Design:** the hob surface is slightly elevated, to separate your cooking space from the worktop.
- **Restart:** restores cooktop settings in case of an unintentional cooktop switch-off.

Technical Data

Appliance type:Cooking zone ceramic
 Built-in / Free-standing: Built-in
 Heating type:Electric hob
 Number of cooking zones:4
 Required niche size for installation (HxWxD): 45 x 780-780 x 500-500 mm
 Width of the appliance:802 mm
 Dimensions: 45x802x522 mm
 Dimensions of the packed product (HxWxD):100x1020x630 mm
 Net weight: 10.4 kg
 Gross weight: 12.0 kg
 Residual heat indicator: Separate
 Location of control panel: Front
 Basic surface material: Ceramic glass
 Color of surface:Black
 EAN code:4242005512140
 Voltage: 220-240 V
 Frequency: 50; 60 Hz



Series 4, Electric hob, 80 cm, surface mount without frame PKH811BB1D

The glass-ceramic radiant hob: makes cooking and cleaning especially easy.

- 80 cm: space for 4 pots or pans.

Flexibility of cooking zones

- Ring zone roaster: use roasters on the extendable cooking zone.
- Ring zone double: use regular or larger cookware on the extendable cooking zone.
- Cooking zone front left: 120 mm, 210 mm, 0.75 KW
- Cooking zone rear left: 145 mm, 1.2 KW
- Cooking zone middle: 180 mm, 230 mm, 1.5 KW
- Cooking zone front right: 170 mm, 265 mm, 1.8 KW

Usage convenience

- TouchSelect: control the power with imprinted +/- touch buttons.
- Variable 17-stage power settings for each zone: precisely adapt the heat with 17 power levels (9 main levels and 8 intermediate levels).
- Switch-off timer: switches off the cooking zone at the end of the time set (e.g. for boiled eggs).
- Count-down timer: an alarm sounds at the end of the time set (e.g. for pasta).

Time saving & efficiency

- ReStart function: in case of unintentional switch-off, this feature restores all previous settings by switching on the hob again within 4 seconds.
- Quick Stop: quickly switch off a cooking zone with one longer touch.

Design

- Frameless design

Safety

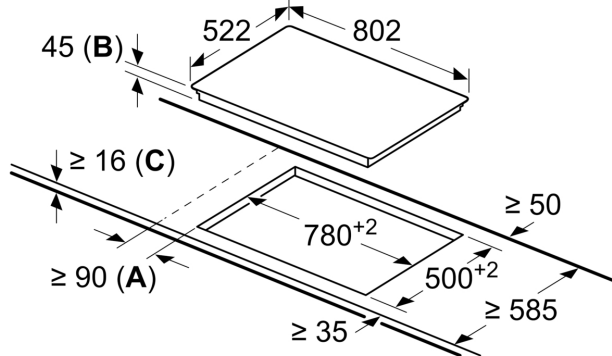
- 2 stage residual heat indicator for each zone: indicates which cooking zones are still hot or warm.
- Control panel lock: prevent unintended activation of the hob.
- Main on/off switch: switch off all cooking zones at the touch of a button.
- Power on indicator light: indicates if the hob is heating.
- Automatic safety shut off: for safety reasons, heating stops after a preset time if not used.

Installation

- Dimensions of the product (HxWxD mm): 45 x 802 x 522
- Required niche size for installation (HxWxD mm) : 45 x 780 x (500 - 500)
- Min. worktop thickness: 16 mm
- Connected load: 7.4 KW

**Series 4, Electric hob, 80 cm, surface
mount without frame
PKH811BB1D**

measurements in mm



- A:** Minimum distance from the hob cut-out to the wall.
- B:** Recessed depth
- C:** With fitted oven underneath min. 20, possibly more; see space requirements for the oven.