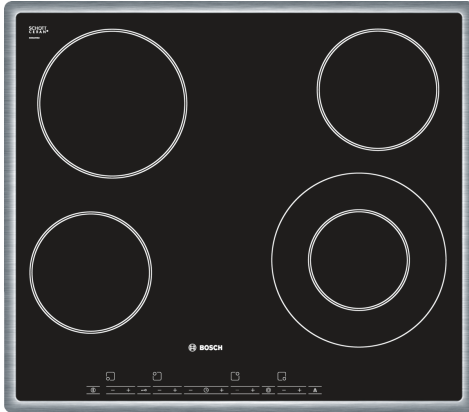


Electric hob, 60 cm, Black, PKF645T14E



Optional accessories

- HEZ5920 Intermediate bottom, 60 cm (Touch)
HEZ390090 Wok Set consisting of 3 Items

- **Steel frame:** the flat stainless steel frame around the hob is perfect for integrating into existing countertop cutouts.
- **Timer with switch-off function:** Turns off the assigned cooking zone after the set time.
- **The handy ChildLock locks the control panel to prevent accidental changes in settings.**

Technical Data

Appliance type:Cooking zone ceramic
 Built-in / Free-standing: Built-in
 Heating type:Electric hob
 Number of cooking zones:4
 Type of control setting devices: TouchControl Basic
 Min. required niche size for installation (HxWxD):47 x 560-560 x 490-490 mm
 Width of the appliance:575 mm
 Dimensions: 47 x 575 x 505 mm
 Dimensions of the packed product (HxWxD): 100 x 750 x 590 mm
 Net weight:7.4 kg
 Gross weight: 8.2 kg
 Residual heat indicator: Separate
 Location of control panel: Front panel
 Basic surface material: Ceramic glass
 Color of surface:Black, Stainless steel
 Color of frame:Stainless steel
 EAN code:4242002475059
 Voltage: 220-240 V
 Frequency: 50; 60 Hz



Electric hob, 60 cm, Black, PKF645T14E

Key Information

- Electronic control
- Digital display
- Automatic safety shut off
- Control panel lock

Design

- 575 mm
- Front controls
- Touch control
- All around trim

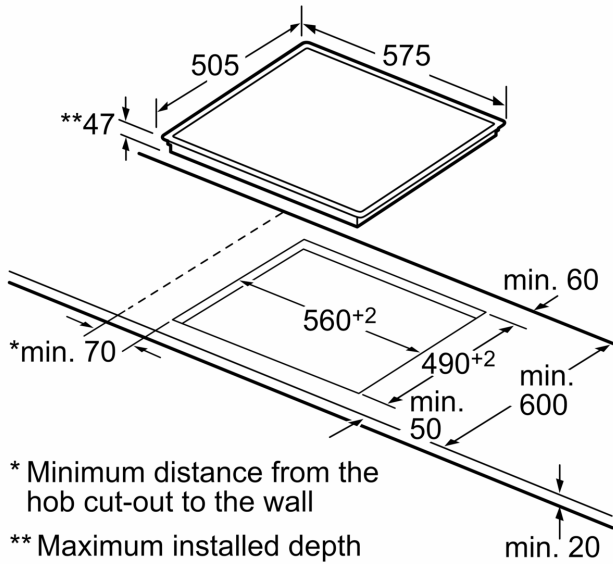
Features

- Variable 17-stage power settings for each zone
- Main on/off switch
- Power on indicator via on/off switch
- Timer for all zones
- 2 stage residual heat indicator for each zone
- Automatic boil start

Performance/technical information

- 4 zone Quick-Therm hob
- 1 dual/extendable zone

**Electric hob, 60 cm, Black,
PKF645T14E**



* Minimum distance from the hob cut-out to the wall

** Maximum installed depth

All measurements in mm