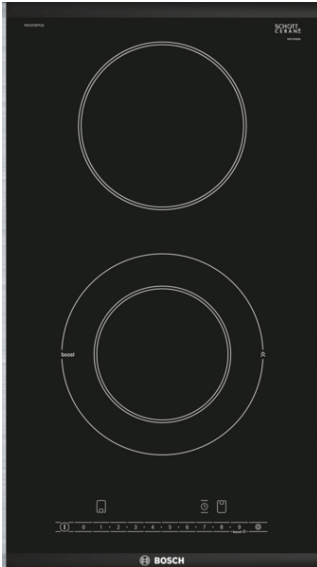


**Series 6, Domino electric hob, 30 cm,  
Black,  
PKF375FP1E**



**Optional accessories**

HEZ394301 : Connecting strip

**Ceramic domino hob: tough and easy-to-clean glass surfaces and good looks for a smart addition to your home.**

- The 18 cm cooking zone - extendable cooking zone.
- **ComfortProfile:** Elegant, appealing design with bevelled front and metal strips on the side.
- **30 cm width:** suitable for combining with other Domino and ComfortProfile hobs.
- **PowerBoost:** up to 20% more energy when cooking on your electric hob.
- If you turn off the cooktop it saves the last selected setting for a short time. If the cooktop is switched off within a short time again the former settings are still available.

**Technical Data**

Product name/family : Vario/Domino cooking zone cera

Product name/family : Vario/Domino cooking zone cera

Construction type : Built-in

Construction type : Built-in

Energy input : Electric

Energy input : Electric

Total number of positions that can be used at the same time : 2

Total number of positions that can be used at the same time : 2

Min. required niche size for installation (HxWxD) : 38 x x mm

Min. required niche size for installation (HxWxD) : 38 x x mm

Width of the appliance : 306 mm

Width of the appliance : 306 mm

Dimensions : 38 x 306 x 527 mm

Dimensions : 38 x 306 x 527 mm

Dimensions of the packed product (HxWxD) : 120 x 375 x 590 mm

Dimensions of the packed product (HxWxD) : 120 x 375 x 590 mm

Net weight : 4.8 kg

Net weight : 4.8 kg

Gross weight : 5.5 kg

Gross weight : 5.5 kg

Residual heat indicator : Separate

Residual heat indicator : Separate

Location of control panel : Hob front

Location of control panel : Hob front

Basic surface material : Ceramic

Basic surface material : Ceramic

Color of surface : Alu, brushed, Black

Color of surface : Alu, brushed, Black

Length of electrical supply cord : 100.0 cm

Length of electrical supply cord : 100.0 cm

EAN code : 4242002938141

EAN code : 4242002938141

Fuse protection : 16 A

Fuse protection : 16 A

Voltage : 220-240 V

Voltage : 220-240 V

Frequency : 60; 50 Hz

Frequency : 60; 50 Hz



4 242002 938141

## **Series 6, Domino electric hob, 30 cm, Black, PKF375FP1E**

**Ceramic domino hob: tough and easy-to-clean glass surfaces and good looks for a smart addition to your home.**

### **Installation**

- Dimensions of the product (HxWxD mm): 38 x 306 x 527
- Required niche size for installation (HxWxD mm) : 38 x 270 x (490 - 500)
- Min. worktop thickness: 16 mm
- Connected load: 3.5 KW
- Power cord: 1 m, Cable included

### **Design**

- Profile trim (front facette with side trim)
- 30 cm: space for 2 pots or pans.

### **Flexibility of cooking zones**

- Ring zone double: use regular or larger cookware on the extendable cooking zone.
- Cooking zone middle: 180 mm, 120 mm, 1 KW (max. power 2.3 KW)
- Cooking zone middle: 145 mm, 1.2 KW

### **Usage convenience**

- DirectSelect touch control: directly control the power with imprinted touch bar.
- Variable 17-stage power settings for each zone: precisely adapt the heat with 17 power levels (9 main levels and 8 intermediate levels).
- Timer for all zones
  - : switches off the cooking zone at the end of the time set (e.g. for boiled eggs).
- Timer - shows how long the cooktop is in use
  - : an alarm sounds at the end of the time set (e.g. for pasta).
- Count up timer per cooktop
  - : shows how much time has passed since starting the timer (e.g. for potatoes).

### **Time saving & efficiency**

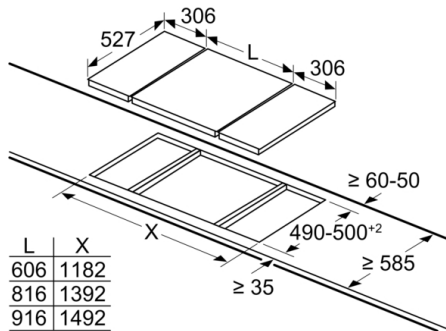
- PowerBoost in the front zone: boil water more quickly thanks to 20% more energy than at the highest standard level.
- ReStart function: in case of unintentional switch-off, this feature restores all previous settings by switching on the hob again within 4 seconds.

### **Safety**

- 2 stage residual heat indicator for each zone: indicates which cooking zones are still hot or warm.
- Control panel lock: prevent unintended activation of the hob.
- Main on/off switch: switch off all cooking zones at the touch of a button.
- Power on indicator light: indicates if the hob is heating.
- Automatic safety shut off: for safety reasons, heating stops after a preset time if not used (possible to customise).
- Energy consumption display: shows the electricity consumption of the last cooking process.

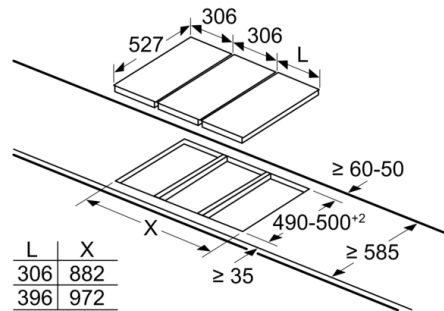
## Series 6, Domino electric hob, 30 cm, Black, PKF375FP1E

measurements in mm



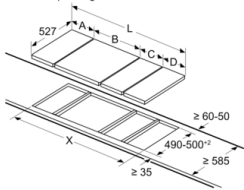
When installing two Domino units right next to a hob, two assembly kits (HEZ394301) are required.

measurements in mm



When installing two or more Domino units side-by-side, one or more assembly kits are required (2 units = 1 assembly kit, 3 units = 2 assembly kits, etc.).

measurements in mm  
Picture for the table Domino combination possibilities with corresponding devices and cutout dimensions



If two or more elements are installed right next to one another, one or several installation kits are required (2 elements 1 installation kit, 3 elements 2 installation kits, etc.).

Cutout dimension (X) depending on the combination see table:

measurements in mm

Domino combination options with corresponding appliance and cut-out dimensions

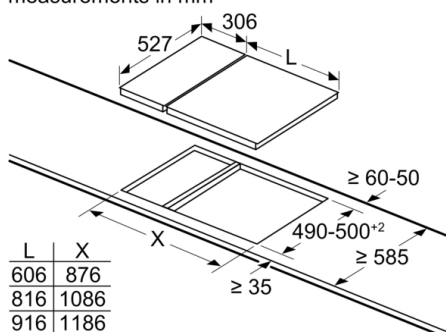
Width category:  
Appliance width:

|                   | A   | B   | C   | D   | L | X |      |             |
|-------------------|-----|-----|-----|-----|---|---|------|-------------|
| 2x30              | 306 | 306 | -   | -   |   |   | 612  | <b>576</b>  |
| 1x30, 1x40        | 306 | 396 | -   | -   |   |   | 702  | <b>666</b>  |
| 1x30, 1x60        | 306 | 606 | -   | -   |   |   | 912  | <b>876</b>  |
| 1x30, 1x70*       | 306 | 710 | -   | -   |   |   | 1016 | <b>980</b>  |
| 1x30, 1x80        | 306 | 816 | -   | -   |   |   | 1122 | <b>1086</b> |
| 1x30, 1x90        | 306 | 916 | -   | -   |   |   | 1222 | <b>1186</b> |
| 2x40              | 396 | 396 | -   | -   |   |   | 792  | <b>756</b>  |
| 1x40, 1x60        | 396 | 606 | -   | -   |   |   | 1002 | <b>966</b>  |
| 1x40, 1x70*       | 396 | 710 | -   | -   |   |   | 1106 | <b>1070</b> |
| 1x40, 1x80        | 396 | 816 | -   | -   |   |   | 1212 | <b>1176</b> |
| 1x40, 1x90        | 396 | 916 | -   | -   |   |   | 1312 | <b>1276</b> |
| 3x30              | 306 | 306 | 306 | -   |   |   | 918  | <b>882</b>  |
| 2x30, 1x40        | 306 | 306 | 396 | -   |   |   | 1008 | <b>972</b>  |
| 2x30, 1x60        | 306 | 306 | 606 | -   |   |   | 1218 | <b>1182</b> |
| 2x30, 1x70*       | 306 | 306 | 710 | -   |   |   | 1322 | <b>1286</b> |
| 2x30, 1x80        | 306 | 306 | 816 | -   |   |   | 1428 | <b>1392</b> |
| 2x30, 1x90        | 306 | 306 | 916 | -   |   |   | 1528 | <b>1492</b> |
| 1x30, 2x40        | 306 | 396 | 396 | -   |   |   | 1098 | <b>1062</b> |
| 1x30, 1x40, 1x60  | 306 | 396 | 606 | -   |   |   | 1308 | <b>1272</b> |
| 1x30, 1x40, 1x70* | 306 | 396 | 710 | -   |   |   | 1412 | <b>1376</b> |
| 1x30, 1x40, 1x80  | 306 | 396 | 816 | -   |   |   | 1518 | <b>1482</b> |
| 1x30, 1x40, 1x90  | 306 | 396 | 916 | -   |   |   | 1618 | <b>1582</b> |
| 2x40, 1x60        | 396 | 396 | 606 | -   |   |   | 1398 | <b>1362</b> |
| 4x30              | 306 | 306 | 306 | 306 |   |   | 1224 | <b>1188</b> |

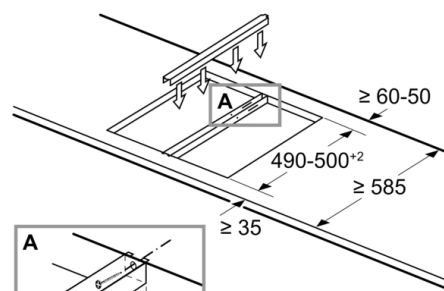
measurements in mm

Assembly kit (HEZ394301) for Domino

measurements in mm



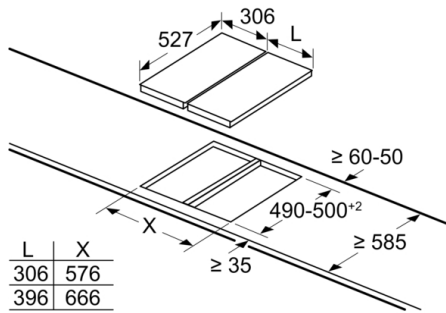
When installing a Domino unit right next to a hob, an assembly kit (HEZ394301) is required.



B: Dependent on the cut-out depth

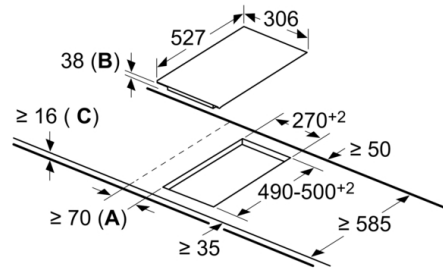
**Series 6, Domino electric hob, 30 cm, Black, PKF375FP1E**

measurements in mm



When installing two or more Domino units side-by-side, one or more assembly kits are required (2 units = 1 assembly kit, 3 units = 2 assembly kits, etc.).

measurements in mm



- A:** Minimum distance from the hob cut-out to the wall.
- B:** Recessed depth
- C:** With fitted oven underneath min. 20, possibly more; see space requirements for the oven.