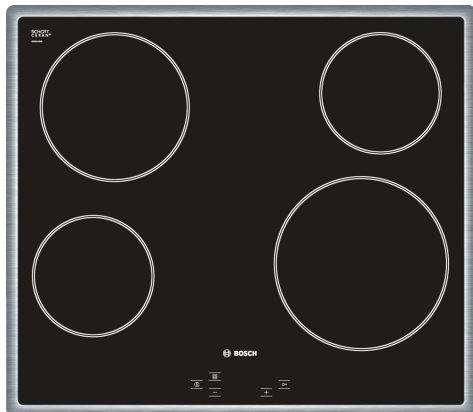


Electric hob, 60 cm, Black, PKE645Q14E



Optional accessories

- HEZ390090 Wok Set consisting of 3 Items
- HEZ5920 Intermediate bottom, 60 cm (Touch)

- **Steel frame:** the flat stainless steel frame around the hob is perfect for integrating into existing countertop cutouts.
- **The handy ChildLock locks the control panel to prevent accidental changes in settings.**

Technical Data

Appliance type:Cooking zone ceramic
Built-in / Free-standing: Built-in
Heating type:Electric hob
Number of cooking zones:4
Type of control setting devices: TouchControl Basic
Min. required niche size for installation (HxWxD):47 x 560-560 x 490-490 mm
Width of the appliance:575 mm
Dimensions:47 x 575 x 505 mm
Dimensions of the packed product (HxWxD): 100 x 750 x 590 mm
Net weight:7.2 kg
Gross weight:8.0 kg
Residual heat indicator: Separate
Location of control panel: Front
Basic surface material:Ceramic glass
Color of surface:Black, Stainless steel
Color of frame:Stainless steel
EAN code:4242002468709
Voltage: 220-240 V
Frequency: 50; 60 Hz



Electric hob, 60 cm, Black, PKE645Q14E

Key Information

- Electronic control
- Digital display
- Automatic safety shut off
- Control panel lock

Design

- 575 mm
- Front controls
- Touch control

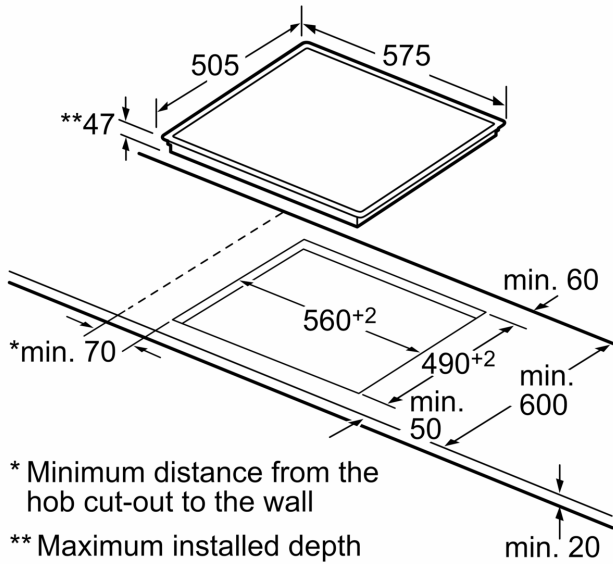
Features

- Variable 17-stage power settings for each zone
- Main on/off switch
- Residual heat indicator

Performance/technical information

- 4 zone Quick-Therm hob

**Electric hob, 60 cm, Black,
PKE645Q14E**



* Minimum distance from the hob cut-out to the wall

** Maximum installed depth

All measurements in mm