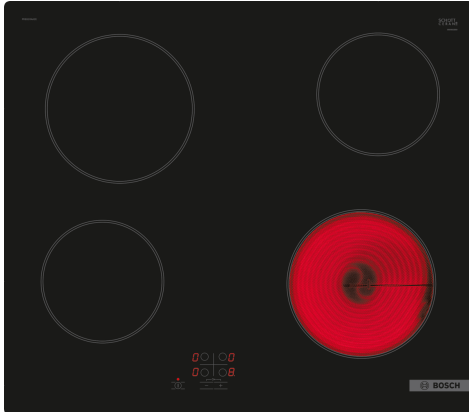


**Series 2, Electric hob, 60 cm, Black,
PKE61RAA8B**



Optional accessories

- HEZ32WA00 Wireless food thermometer
- HEZ390090 Wok Set consisting of 3 Items
- HEZ392617 Intermediate bottom
- HEZ9FE280 Iron pan Ø 18 / 28 cm

**The glass-ceramic radiant hob: makes
cooking and cleaning especially easy.**

- **The handy ChildLock locks the control panel to prevent accidental changes in settings.**
- **TouchSelect Basic: Selection of the desired cooking zone and easy setting of the desired power level.**

Technical Data

Appliance type:Cooking zone ceramic
 Built-in / Free-standing: Built-in
 Heating type:Electric hob
 Number of cooking zones:4
 Min. required niche size for installation (HxWxD):45 x 560-560 x 490-500 mm
 Width of the appliance:592 mm
 Dimensions: 45 x 592 x 522 mm
 Dimensions of the packed product (HxWxD): 100 x 750 x 590 mm
 Net weight:7.3 kg
 Gross weight: 8.0 kg
 Residual heat indicator: Separate
 Location of control panel: Front
 Basic surface material:Ceramic glass
 Color of surface:Black
 Length electrical supply cord: 100.0 cm
 EAN code:4242005280384
 Voltage: 220-240 V
 Frequency: 50; 60 Hz



Series 2, Electric hob, 60 cm, Black, PKE61RAA8B

The glass-ceramic radiant hob: makes cooking and cleaning especially easy.

Flexibility of cooking zones

- Cooking zone front left: 145 mm, 1.2 KW
- Cooking zone rear left: 180 mm, 2 KW
- Cooking zone rear right: 145 mm , 1.2 KW
- Cooking zone front right: 180 mm, 2 KW

Usage convenience

- TouchSelect Basic: control the power with imprinted +/- touch buttons.
- Variable 9-stage power settings for each zone: precisely adapt the heat with 9 power levels.
- Quick Stop: quickly switch off a cooking zone with one longer touch.

Design

- 60 cm: space for 4 pots or pans.
- Frameless design

Safety

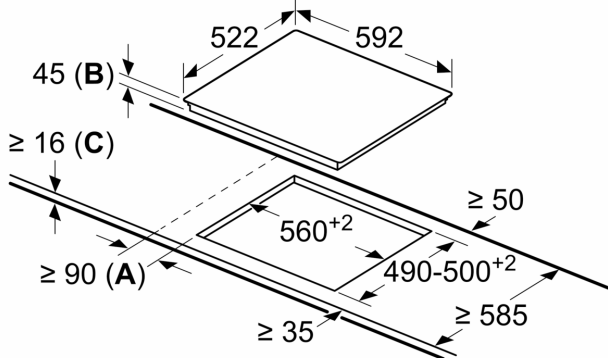
- Control panel lock: prevent unintended activation of the hob.
- Main on/off switch: switch off all cooking zones at the touch of a button.
- Power on indicator light: indicates if the hob is heating.
- Automatic safety shut off: for safety reasons, heating stops after a preset time if not used (possible to customise).

Installation

- Dimensions of the product (HxWxD mm): 45 x 592 x 522
- Required niche size for installation (HxWxD mm) : 45 x 560 x (490 - 500)
- Min. worktop thickness: 16 mm
- Connected load: 6.4 KW
- Power cord: 1 m, Cable included

**Series 2, Electric hob, 60 cm, Black,
PKE61RAA8B**

measurements in mm



- A:** Minimum distance from the hob cut-out to the wall.
- B:** Recessed depth
- C:** With fitted oven underneath min. 20, possibly more; see space requirements for the oven.