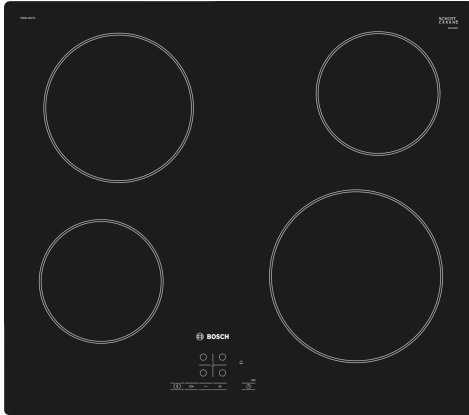


## Series 4, Electric hob, 60 cm, Black, PKE611B17E



## The glass-ceramic radiant hob: makes cooking and cleaning especially easy.

- **TouchSelect:** Selection of the desired cooking zone and easy setting of the desired power level.
- **Restart:** restores cooktop settings in case of an unintentional cooktop switch-off.
- **Timer with switch-off function:** Turns off the assigned cooking zone after the set time.
- **The handy ChildLock locks the control panel to prevent accidental changes in settings.**
- **Ceramic glass is much more slim and durable with better vertical conduction.**

### Technical Data

Appliance type: .....Cooking zone ceramic  
 Built-in / Free-standing: .....Built-in  
 Heating type: .....Electric hob  
 Number of cooking zones: .....4  
 Min. required niche size for installation (HxWxD): .....45 x 560-560 x 490-500 mm  
 Width of the appliance: .....592 mm  
 Dimensions: .....45 x 592 x 522 mm  
 Dimensions of the packed product (HxWxD): .....100 x 750 x 590 mm  
 Net weight: .....7.5 kg  
 Gross weight: .....8.2 kg  
 Residual heat indicator: .....Separate  
 Location of control panel: .....Front  
 Basic surface material: .....Ceramic glass  
 Color of surface: .....Black  
 Length electrical supply cord: .....100.0 cm  
 EAN code: .....4242002722993  
 Voltage: .....220-240 V  
 Frequency: .....50; 60 Hz

### Optional accessories

HEZ392617 Intermediate bottom  
 HEZ9SE030 Set of 2 pots and 1 pan



## Series 4, Electric hob, 60 cm, Black, PKE611B17E

### The glass-ceramic radiant hob: makes cooking and cleaning especially easy.

---

#### Design

- Frameless design
- 60 cm: space for 4 pots or pans.

#### Flexibility of cooking zones

- Cooking zone front left: 145 mm, 1.2 KW
- Cooking zone rear left: 180 mm, 2 KW
- Cooking zone rear right: 145 mm , 1.2 KW
- Cooking zone front right: 210 mm, 2.2 KW

#### Usage convenience

- TouchSelect: control the power with imprinted +/- touch buttons.
- Variable 17-stage power settings for each zone: precisely adapt the heat with 17 power levels (9 main levels and 8 intermediate levels).
- Timer for all zones
- : switches off the cooking zone at the end of the time set (e.g. for boiled eggs).
- Timer - shows how long the cooktop is in use
- : an alarm sounds at the end of the time set (e.g. for pasta).

#### Time saving & efficiency

- ReStart function: in case of unintentional switch-off, this feature restores all previous settings by switching on the hob again within 4 seconds.
- Quick Stop: quickly switch off a cooking zone with one longer touch.

#### Safety

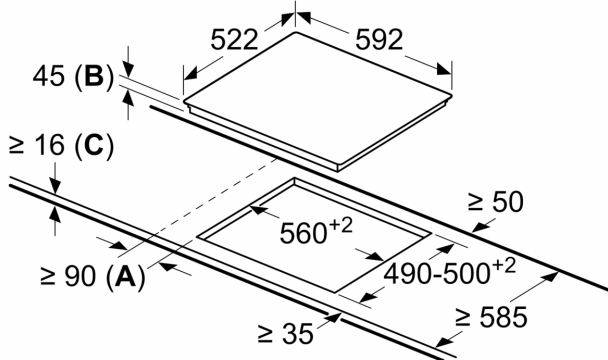
- 2 stage residual heat indicator for each zone: indicates which cooking zones are still hot or warm.
- Control panel lock: prevent unintended activation of the hob.
- Main on/off switch: switch off all cooking zones at the touch of a button.
- Power on indicator light: indicates if the hob is heating.
- Automatic safety shut off: for safety reasons, heating stops after a preset time if not used (possible to customise).

#### Installation

- Dimensions of the product (HxWxD mm): 45 x 592 x 522
- Required niche size for installation (HxWxD mm) : 45 x 560 x (490 - 500)
- Min. worktop thickness: 16 mm
- Connected load: 6.6 KW
- Power cord: 1 m, Cable included

**Series 4, Electric hob, 60 cm, Black,  
PKE611B17E**

measurements in mm



- A:** Minimum distance from the hob cut-out to the wall.
- B:** Recessed depth
- C:** With fitted oven underneath min. 20, possibly more; see space requirements for the oven.