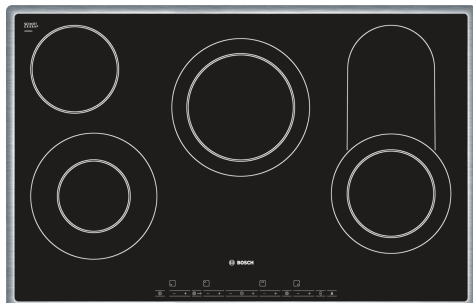


Electric hob, 80 cm, Black, PKC845T14D



Optional accessories

- HEZ390090 Wok Set consisting of 3 Items
- HEZ392800 Intermediate bottom

- **Steel frame:** the flat stainless steel frame around the hob is perfect for integrating into existing countertop cutouts.
- **Timer with switch-off function:** Turns off the assigned cooking zone after the set time.
- **The handy ChildLock locks the control panel to prevent accidental changes in settings.**

Technical Data

Appliance type:Cooking zone ceramic
Built-in / Free-standing: Built-in
Heating type:Electric hob
Number of cooking zones:4
Type of control setting devices: TouchControl Basic
Min. required niche size for installation (HxWxD):48 x 780-780 x 500-500 mm
Width of the appliance:795 mm
Dimensions: 48 x 795 x 517 mm
Dimensions of the packed product (HxWxD): ... 100 x 1020 x 600 mm
Net weight:10.7 kg
Gross weight: 12.4 kg
Residual heat indicator: Separate
Location of control panel: Front
Basic surface material: Ceramic glass
Color of surface:Black, Stainless steel
Color of frame:Stainless steel
EAN code:4242002477343
Voltage: 220-240 V
Frequency: 50; 60 Hz



Electric hob, 80 cm, Black, PKC845T14D

Key Information

- Electronic control
- Digital display
- Automatic safety shut off
- Control panel lock

Design

- 795 mm
- Front controls
- Touch control
- All around trim

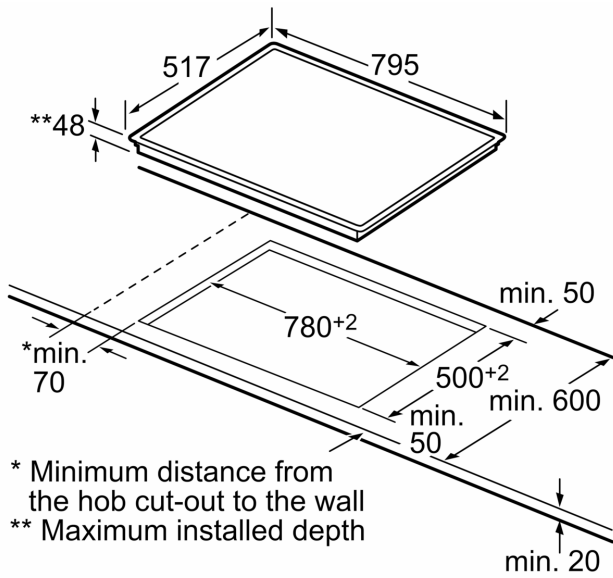
Features

- Variable 17-stage power settings for each zone
- Main on/off switch
- Power on indicator via on/off switch
- Timer for all zones
- 2 stage residual heat indicator for each zone
- Automatic boil start

Performance/technical information

- 4 zone Quick-Therm hob
- 3 dual/extendable zones

**Electric hob, 80 cm, Black,
PKC845T14D**



* Minimum distance from
the hob cut-out to the wall
** Maximum installed depth

All measurements in mm