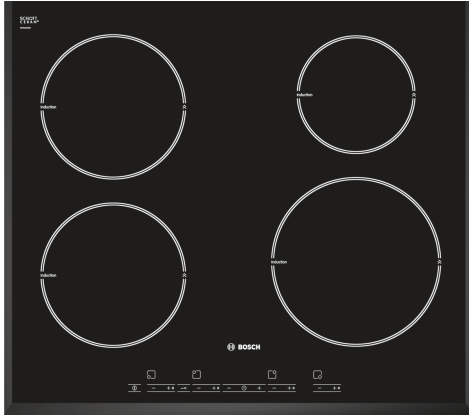


## Induction hob, 60 cm, Black, PIE651T14E



- **U-Bevel:** Elegant, appealing design with bevelled front and sides.
- **PowerBoost:** up to 50% more power for faster heating on your induction hob.
- **Timer with switch-off function:** Turns off the assigned cooking zone after the set time.
- **The handy ChildLock locks the control panel to prevent accidental changes in settings.**
- **Induction: Fast, precise cooking, easy cleaning and low energy consumption.**

### Technical Data

Appliance type: .....Cooking zone ceramic  
 Built-in / Free-standing: .....Built-in  
 Heating type: .....Electric hob  
 Number of cooking zones: .....4  
 Type of control setting devices: ..... TouchControl Basic  
 Min. required niche size for installation (HxWxD): .....51 x 560-560 x 490-500 mm  
 Width of the appliance: .....592 mm  
 Dimensions: ..... 51 x 592 x 522 mm  
 Dimensions of the packed product (HxWxD): ..... 120 x 739 x 591 mm  
 Net weight: .....11.2 kg  
 Gross weight: ..... 12.2 kg  
 Residual heat indicator: ..... Separate  
 Location of control panel: ..... Front  
 Basic surface material: .....Ceramic glass  
 Color of surface: .....Black  
 Length electrical supply cord: ..... 110.0 cm  
 EAN code: .....4242002486222  
 Voltage: .....220-240 V  
 Frequency: ..... 50; 60 Hz

### Optional accessories

HEZ390020	set of 1 pot and 1 pan for induction hob
HEZ390041	set of 3 pots + 1 pan for induction hob
HEZ390042	Set of 3 pots and 1 pan
HEZ390090	Wok Set consisting of 3 Items



## Induction hob, 60 cm, Black, PIE651T14E

---

### Key Information

- Electronic control
- Digital display
- Automatic safety shut off
- Control panel lock
- PowerBoost function for all zones
- Automatic pan recognition sensor
- Power management function

### Design

- 592 mm
- Front controls
- Touch control
- Three sided bevelled frameless finish

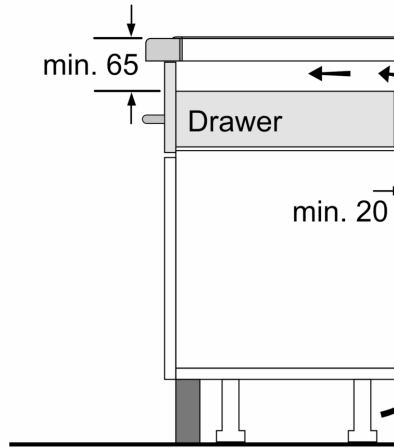
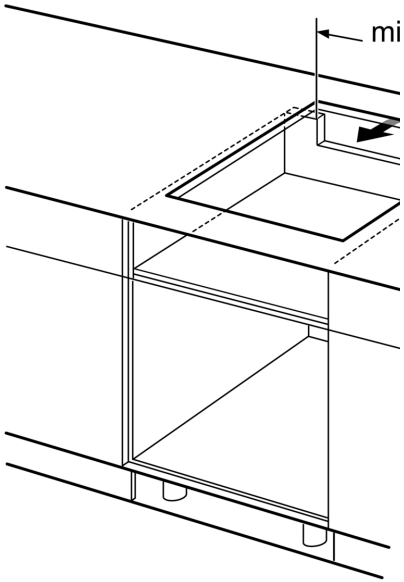
### Features

- Variable 17-stage power settings for each zone
- Main on/off switch
- Timer for all zones
- 2 stage residual heat indicator for each zone
- Small utensil detection

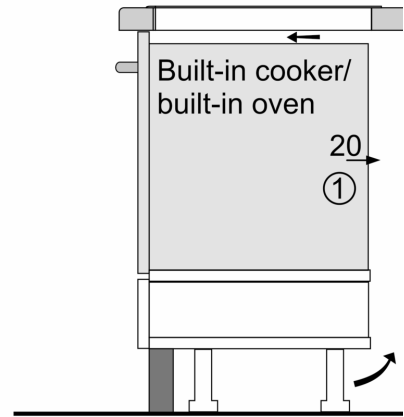
### Performance/technical information

- 4 induction cooking zones

**Induction hob, 60 cm, Black,  
PIE651T14E**



Meas



①  
Ventilation gap must  
be present.

Meas