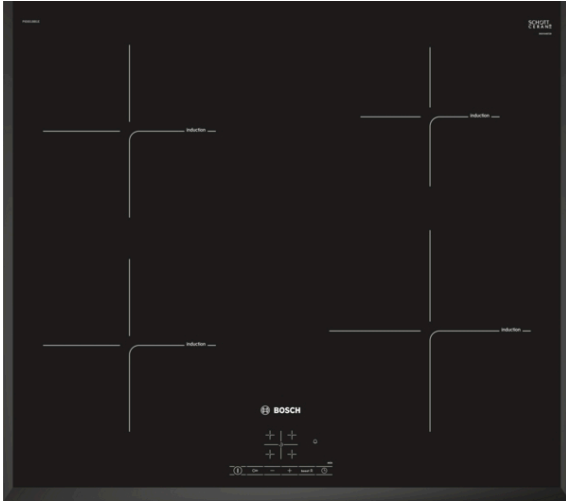


## Series 4, Induction hob, 60 cm PIE651BB1E



### Optional accessories

HEZ9SE030 : Set of 2 pots and 1 pan

## The Induction hob: Faster than gas and ceramic hobs, induction is easier to clean and more energy efficient.

- **TouchSelect:** Selection of the desired cooking zone and easy setting of the desired power level.
- **U-Bevel:** Elegant, appealing design with bevelled front and sides.
- **PowerBoost:** up to 50% more power for faster heating on your induction hob.
- If you turn off the cooktop it saves the last selected setting for a short time. If the cooktop is switched off within a short time again the former settings are still available.
- **Timer with switch-off function:** Turns off the assigned cooking zone after the set time.

### Technical Data

Product name/family : Cooking zone ceramic

Construction type : Built-in

Energy input : Electric

Total number of positions that can be used at the same time : 4

Min. required niche size for installation (HxWxD) : 51 x 560-560 x 490-500 mm

Width of the appliance : 592 mm

Dimensions : 51 x 592 x 522 mm

Dimensions of the packed product (HxWxD) : 126 x 753 x 603 mm

Net weight : 13.5 kg

Gross weight : 13.5 kg

Residual heat indicator : Separate

Location of control panel : Hob front

Basic surface material : Ceramic

Color of surface : Black

Length of electrical supply cord : 110 cm

EAN code : 4242002870298

Voltage : 220-240 V

Frequency : 50; 60 Hz



4 242002 870298

## Series 4, Induction hob, 60 cm PIE651BB1E

**The Induction hob: Faster than gas and ceramic hobs, induction is easier to clean and more energy efficient.**

### Design

- Three sided bevelled frameless finish
- 60 cm: space for 4 pots or pans.

### Flexibility of cooking zones

- Cooking zone front left: 180 mm, 1.8 KW (max. power 3.1 KW)
- Cooking zone rear left: 180 mm, 1.8 KW (max. power 3.1 KW)
- Cooking zone rear right: 145 mm , 1.4 KW (max power 2.2 KW)
- Cooking zone front right: 210 mm, 2.2 KW (max. power 3.7 KW)

### Usage convenience

- TouchSelect: control the power with imprinted +/- touch buttons.
- Variable 17-stage power settings for each zone: precisely adapt the heat with 17 power levels (9 main levels and 8 intermediate levels).
- Timer for all zones  
: switches off the cooking zone at the end of the time set (e.g. for boiled eggs).
- Timer - shows how long the cooktop is in use  
: an alarm sounds at the end of the time set (e.g. for pasta).

### Time saving & efficiency

- PowerBoost function for all zones  
: boil water faster thanks to 50% more energy than at the highest standard level.
- QuickStart function: when switching on, the hob automatically selects the cooking zone with cookware (when placed on a zone whilst the hob is off).
- ReStart function: in case of unintentional switch-off, this feature restores all previous settings by switching on the hob again within 4 seconds.
- Quick Stop: quickly switch off a cooking zone with one longer touch.

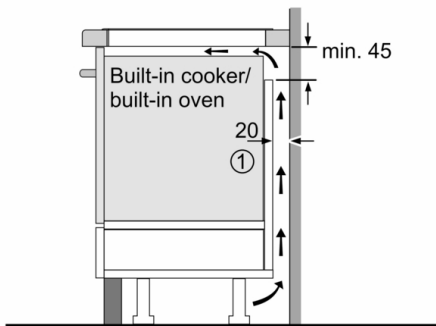
### Safety

- 2 stage residual heat indicator for each zone: indicates which cooking zones are still hot or warm.
- Control panel lock: prevent unintended activation of the hob.
- Main on/off switch: switch off all cooking zones at the touch of a button.
- Automatic safety shut off: for safety reasons, heating stops after a preset time if not used (possible to customise).

### Installation

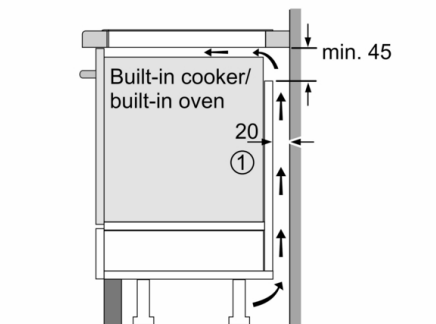
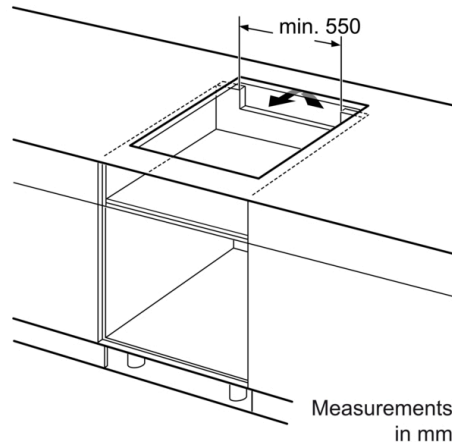
- Dimensions of the product (HxWxD mm): 51 x 592 x 522
- Required niche size for installation (HxWxD mm) : 51 x 560 x (490 - 500)
- Min. worktop thickness: 16 mm
- Connected load: 7.4 KW
- Power management options for 16A, 13A or 10A connection: limit the maximum power if needed (depends on fuse protection of electric installation).
- Power cord: 1.1 m, Cable included

**Series 4, Induction hob, 60 cm  
PIE651BB1E**



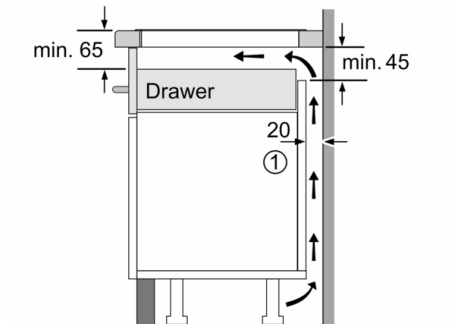
① Ventilation gap must be present

All measurements in mm



① Ventilation gap must be present

All measurements in mm



① Ventilation gap must be present.

Measurements in mm