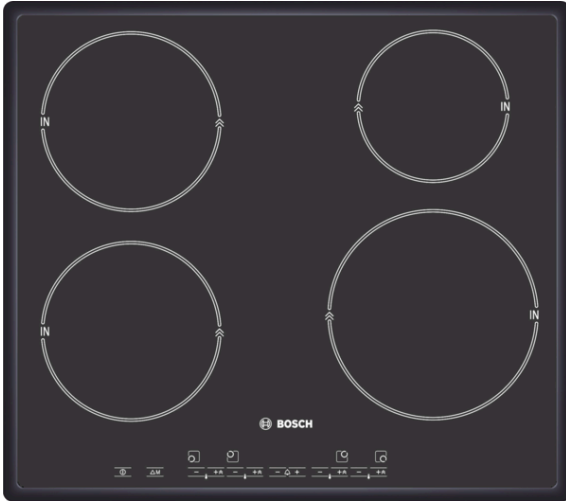


**Induction hob, 60 cm,
PIE646T01E**

Technical Data

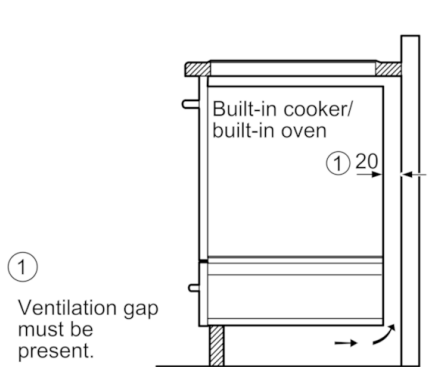
Product name/family :	Cooking zone ceramic
Construction type :	Built-in
Energy input :	Electric
Total number of positions that can be used at the same time :	4
Required niche size for installation (HxWxD) :	53.1 x 560-560 x 490-490
Width of the product (mm) :	575
Dimensions of the product (mm) :	53.1 x 575 x 505
Dimensions of the packed product (HxWxD) (mm) :	100 x 760 x 600
Net weight (kg) :	11.892
Gross weight (kg) :	13.0
Residual heat indicator :	Separate
Location of control panel :	Hob front
Basic surface material :	Ceramic
Color of surface :	Black, Black
Color of frame :	Black
Approval certificates :	AENOR, CE
Length of electrical supply cord (cm) :	150
EAN code :	4242002412320
Electrical connection rating (W) :	7200
Voltage (V) :	220-240
Frequency (Hz) :	60; 50



Induction hob, 60 cm, PIE646T01E

- 4 induction cooking zones
- Flush design
- Front mounted electronic touch controls
- Power on indicator light
- Electronic display
- Boost function for all zones
- Memory function for each zone
- 99 minute timer
- Timer with switch-off function for all zones
- Keep warm function
- Safety switch-off
- Digital 2 stage residual heat indicator
- Full electronic control 17 power levels
- Child lock

Induction hob, 60 cm, PIE646T01E



Dimensions in mm

