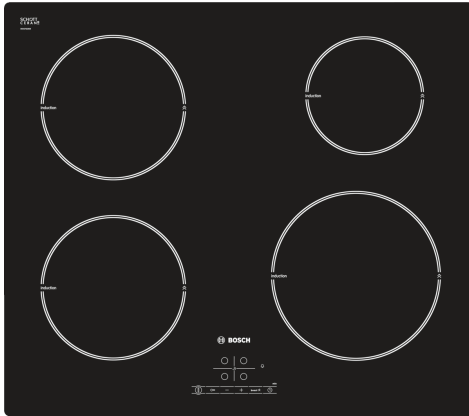


**Series 4, Induction hob, 60 cm,  
Black,  
PIE611B18E**



**The Induction hob: Faster than gas and ceramic hobs, induction is easier to clean and more energy efficient.**

- **TouchSelect:** Selection of the desired cooking zone and easy setting of the desired power level.
- **PowerBoost:** up to 50% more power for faster heating on your induction hob.
- **QuickStart:** start straight away and select the desired cooking level.
- **Restart:** restores cooktop settings in case of an unintentional cooktop switch-off.
- **Timer with switch-off function:** Turns off the assigned cooking zone after the set time.

**Technical Data**

Appliance type: .....Cooking zone ceramic  
 Built-in / Free-standing: ..... Built-in  
 Heating type: .....Electric hob  
 Number of cooking zones: .....4  
 Min. required niche size for installation (HxWxD): .....51 x 560-560 x 490-500 mm  
 Width of the appliance: .....592 mm  
 Dimensions: ..... 51 x 592 x 522 mm  
 Dimensions of the packed product (HxWxD): ..... 118 x 746 x 604 mm  
 Net weight: .....11.1 kg  
 Gross weight: ..... 12.3 kg  
 Residual heat indicator: ..... Separate  
 Location of control panel: ..... Front  
 Basic surface material: .....Ceramic glass  
 Color of surface: .....Black  
 Length electrical supply cord: ..... 110.0 cm  
 EAN code: .....4242002737867  
 Voltage: .....220-240 V  
 Frequency: ..... 60; 50 Hz

**Optional accessories**

- HEZ390042 Set of 3 pots and 1 pan  
 HEZ390090 Wok Set consisting of 3 Items



**Series 4, Induction hob, 60 cm,  
Black,  
PIE611B18E**

**The Induction hob: Faster than gas and ceramic hobs, induction is easier to clean and more energy efficient.**

---

**Key Information**

- Electronic control
- TouchSelect
- Digital display
- Automatic safety shut off
- Control panel lock
- PowerBoost function for all zones
- Automatic pan recognition sensor

**Design**

- 592 mm
- Front controls
- Frameless design

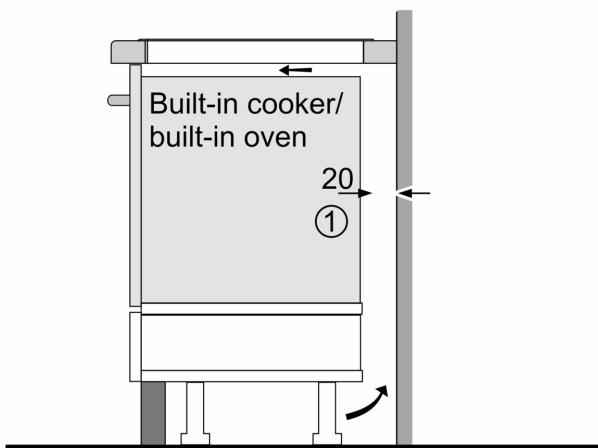
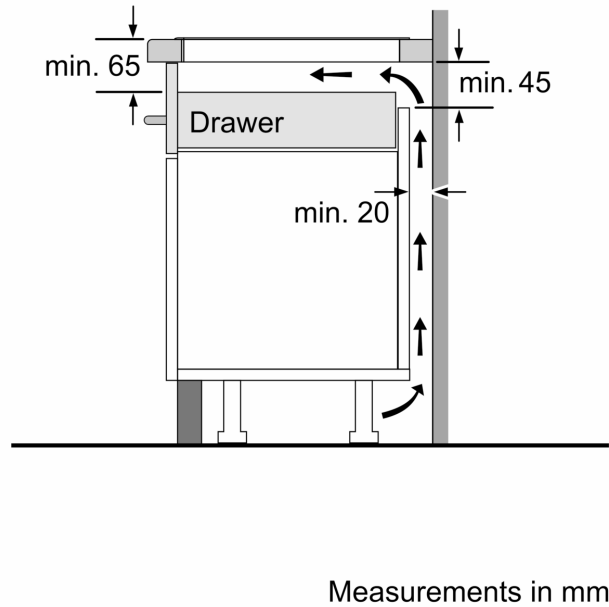
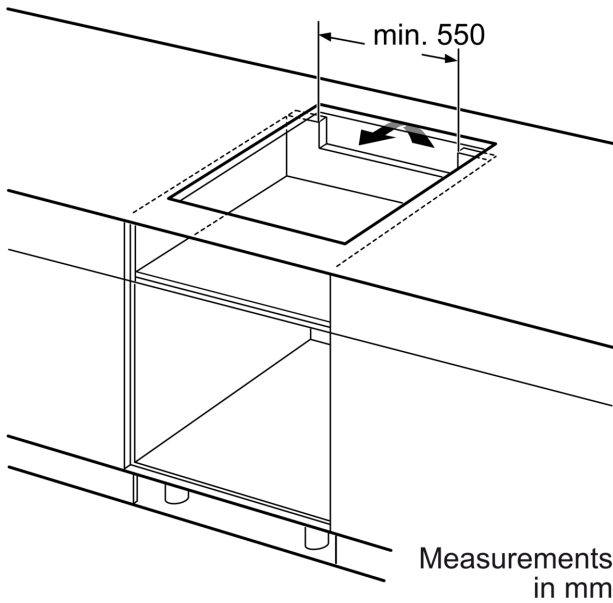
**Features**

- Variable 17-stage power settings for each zone
- Main on/off switch
- Timer for all zones
- 2 stage residual heat indicator for each zone
- QuickStart function
- ReStart function

**Performance/technical information**

- 4 induction cooking zones
- Power management options for 16A, 13A or 10A connection

**Series 4, Induction hob, 60 cm,  
Black,  
PIE611B18E**



①  
Ventilation gap must  
be present.

Measurements in mm