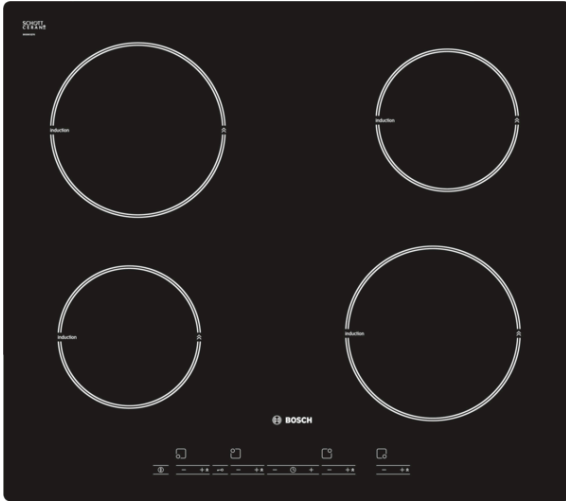


**Induction hob, 60 cm,  
PIA611T66B**

**Technical Data**

Product name/family :	Cooking zone ceramic
Construction type :	Built-in
Energy input :	Electric
Total number of positions that can be used at the same time :	4
Required niche size for installation (HxWxD) :	51 x 560-560 x 490-500
Width of the product (mm) :	592
Dimensions of the product (mm) :	51 x 592 x 522
Dimensions of the packed product (HxWxD) (mm) :	120 x 739 x 591
Net weight (kg) :	10.396
Gross weight (kg) :	11.0
Residual heat indicator :	Separate
Location of control panel :	Hob front
Basic surface material :	Ceramic
Color of surface :	Black
Approval certificates :	AENOR, CE
Length of electrical supply cord (cm) :	110
EAN code :	4242002716855
Electrical connection rating (W) :	2990
Voltage (V) :	220-240
Frequency (Hz) :	50; 60



4 242002 716855

## Induction hob, 60 cm, PIA611T66B

---

### Key Information

- Electronic control
- Touch control
- Digital display
- Automatic safety shut off
- Control panel lock
- PowerBoost function for all zones
- Automatic pan recognition sensor
- Power management function

### Design

- 592 mm
- Front controls
- Frameless design

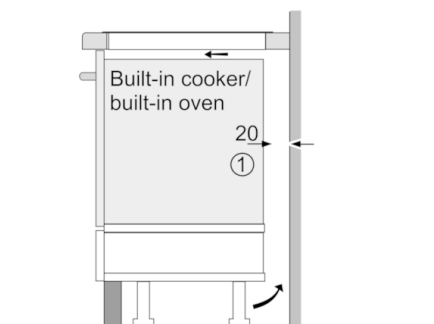
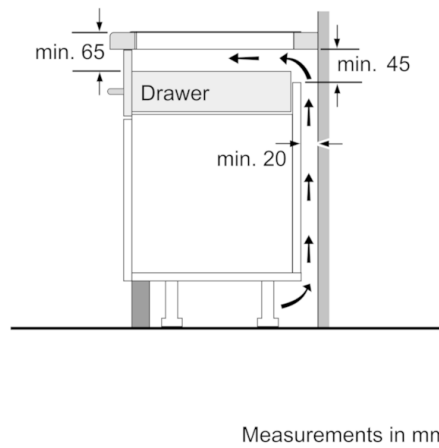
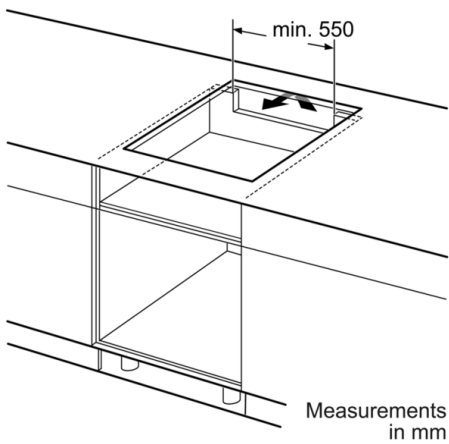
### Features

- Variable 17-stage power settings for each zone
- Main on/off switch
- 2 stage residual heat indicator for each zone
- Small utensil detection

### Performance/technical information

- 110cm cable and 13A UK plug
- 4 induction cooking zones

**Induction hob, 60 cm,  
PIA611T66B**



① Ventilation gap must be present.