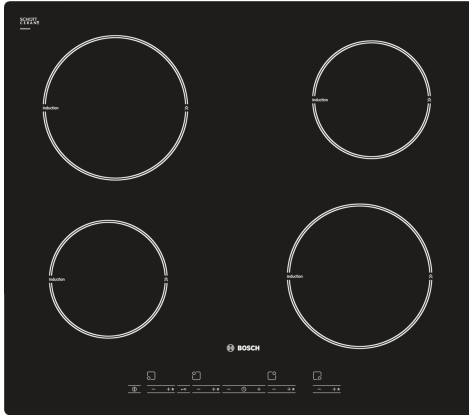


Induction hob, 60 cm, Black, PIA611T16E



- Electronic control
- Digital display
- Automatic safety shut off
- Control panel lock
- Automatic pan recognition sensor

Technical Data

Appliance type:Cooking zone ceramic
 Built-in / Free-standing: Built-in
 Heating type:Electric hob
 Number of cooking zones:4
 Min. required niche size for installation (HxWxD):51 x 560-560 x 490-500 mm
 Width of the appliance:592 mm
 Dimensions: 51 x 592 x 522 mm
 Dimensions of the packed product (HxWxD): 120 x 739 x 591 mm
 Net weight: 10.4 kg
 Gross weight: 11.3 kg
 Residual heat indicator: Separate
 Location of control panel: Front
 Basic surface material: Ceramic glass
 Color of surface:Black
 Length electrical supply cord: 110.0 cm
 EAN code:4242002629131
 Voltage:220-240 V
 Frequency: 60; 50 Hz

Optional accessories

HEZ390090 Wok Set consisting of 3 Items



4 242002 629131

Induction hob, 60 cm, Black, PIA611T16E

Key Information

- Electronic control
- Digital display
- Automatic safety shut off
- Control panel lock
- Automatic pan recognition sensor

Design

- 592 mm
- Front controls
- Touch control
- Frameless design

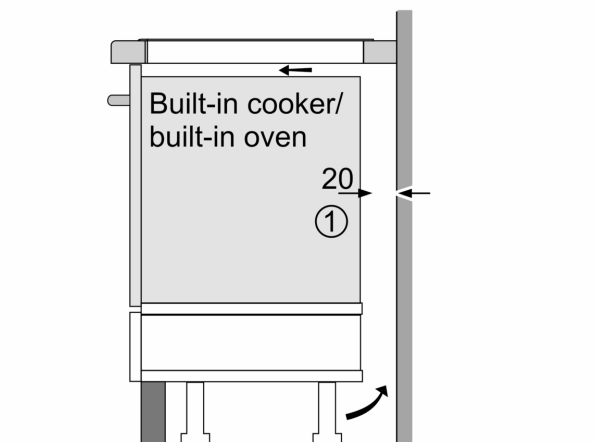
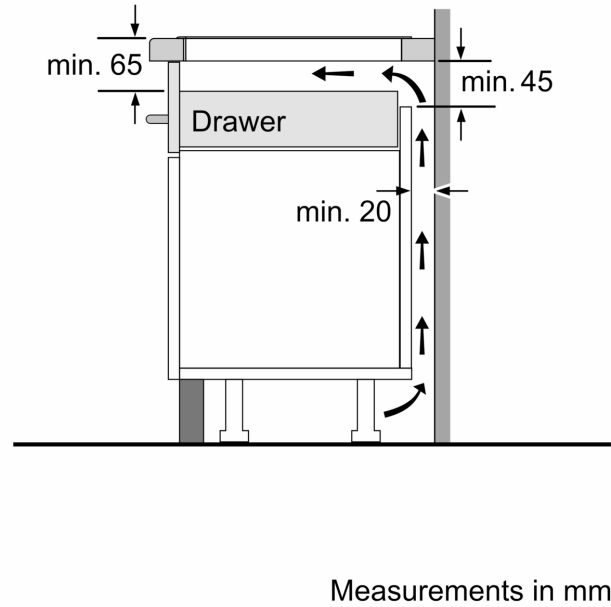
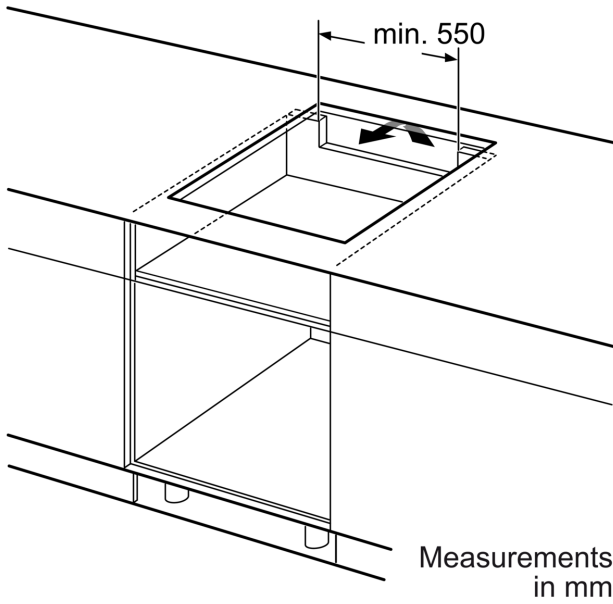
Features

- Variable 17-stage power settings for each zone
- Main on/off switch
- Timer for all zones
- 2 stage residual heat indicator for each zone
- Anti-overflow protection
- Small utensil detection

Performance/technical information

- 4 induction cooking zones
- Power management options for 16A, 13A or 10A connection
- Connected load: 4.6 KW

**Induction hob, 60 cm, Black,
PIA611T16E**



①
Ventilation gap must
be present.

Measurements in mm