

**Induction hob, 60 cm, Black, surface mount without frame  
PIA611T14E**



**Technical Data**

Appliance type: .....Cooking zone ceramic  
 Built-in / Free-standing: ..... Built-in  
 Heating type: .....Electric hob  
 Number of cooking zones: .....4  
 Min. required niche size for installation (HxWxD): .....51 x 560-560 x 490-500 mm  
 Width of the appliance: .....592 mm  
 Dimensions: ..... 51 x 592 x 522 mm  
 Dimensions of the packed product (HxWxD): ..... 120 x 739 x 591 mm  
 Net weight: ..... 10.4 kg  
 Gross weight: ..... 11.2 kg  
 Residual heat indicator: ..... Separate  
 Location of control panel: ..... Front  
 Basic surface material: ..... Ceramic glass  
 Color of surface: .....Black  
 Length electrical supply cord: ..... 110.0 cm  
 EAN code: .....4242002558011  
 Voltage: ..... 220-240 V  
 Frequency: ..... 60; 50 Hz



**Optional accessories**

HEZ390090 Wok Set consisting of 3 Items

## **Induction hob, 60 cm, Black, surface mount without frame PIA611T14E**

---

### **Key Information**

- Electronic control
- Digital display
- Automatic safety shut off
- Control panel lock
- Automatic pan recognition sensor

### **Design**

- 592 mm
- Front controls
- Touch control
- Frameless design

### **Features**

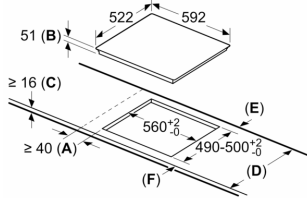
- Variable 17-stage power settings for each zone
- Main on/off switch
- Timer for all zones
- 2 stage residual heat indicator for each zone
- Anti-overflow protection
- Small utensil detection

### **Performance/technical information**

- 4 induction cooking zones

## Induction hob, 60 cm, Black, surface mount without frame PIA611T14E

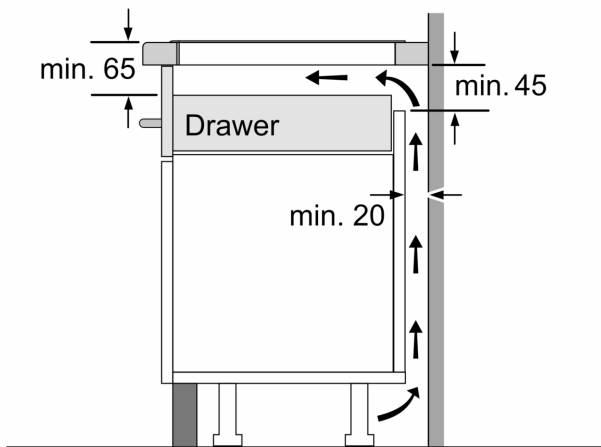
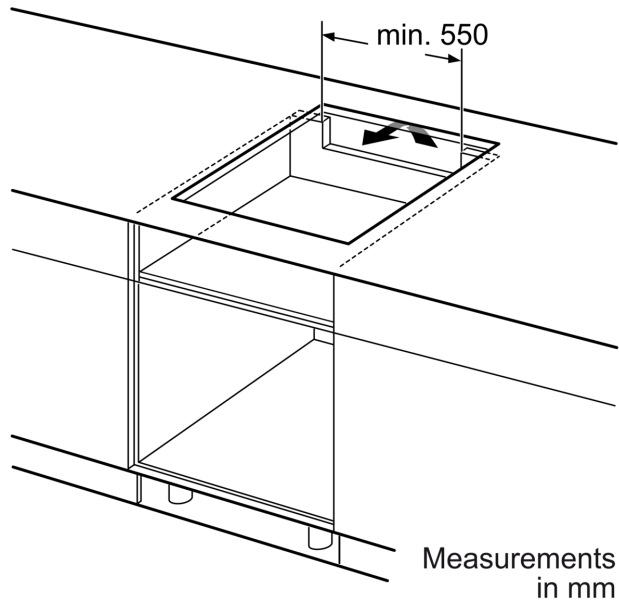
measurements in mm



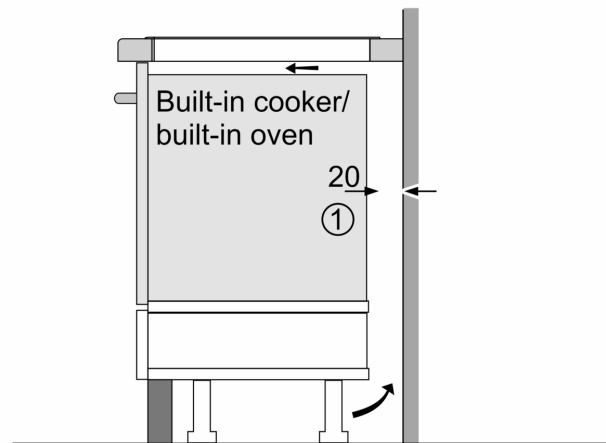
- A: Minimum distance from the hob cut-out to the wall.
- B: Recessed depth
- C: The clearance between the surface of the worktop and the top of the front of the oven must be 30 mm. See space requirements for the oven.

The worktop into which the hob is installed must withstand loads of approx. 60 kg; suitable substructures must be used if required.

D	E	F
585-600	50	≥ 35
> 600	≥ 50	≥ 50



Measurements in mm



① Ventilation gap must be present.

Measurements in mm