

**Series 4, Gas hob, 60 cm, Stainless steel  
PGP6B5K90**



**Optional accessories**

- HEZ32WA00 Wireless food thermometer
- HEZ9SE040 4 pieces Set

**The gas hob with dishwasher suitable cast iron pan supports, Ergonomic sword dials, and a Main Switch for precise control.**

- **Ergonomic sword dials:** with raised center for precise adjustments.
- **Stainless steel design:** The seamless, one-piece stainless steel design makes cleaning simple
- **Dishwasher-suitable pan supports:** Easy, scrub-free cleaning.
- **Continuous cast-iron pan support:** for safety and stability of cookware.
- **Safety gas cut-off:** ensures safety by instantly cutting off gas supply if the flame goes out.

**Technical Data**

Appliance type: ..... gas hob w integrated controls  
 Built-in / Free-standing: ..... Built-in  
 Heating type: ..... Gas  
 Number of cooking zones: ..... 4  
 Type of control setting devices: ..... sword knobs  
 Required niche size for installation (HxWxD): 45 x 560-560 x 480-490 mm  
 Width of the appliance: ..... 582 mm  
 Dimensions: ..... 45x582x520 mm  
 Dimensions of the packed product (HxWxD): ..... 141x651x578 mm  
 Net weight: ..... 9.9 kg  
 Gross weight: ..... 10.7 kg  
 Residual heat indicator: ..... Without  
 Location of control panel: ..... Front  
 Basic surface material: ..... Stainless steel  
 Color of surface: ..... Stainless steel  
 Length electrical supply cord: ..... 100 cm  
 EAN code: ..... 4242005484669  
 Gas connection rating: ..... 7500 W  
 Fuse protection: ..... 3 A  
 Voltage: ..... 220-240 V  
 Frequency: ..... 50; 60 Hz



## **Series 4, Gas hob, 60 cm, Stainless steel PGP6B5K90**

**The gas hob with dishwasher suitable cast iron pan supports, Ergonomic sword dials, and a Main Switch for precise control.**

---

### **Design**

- Stainless steel surface
- Cast iron pan supports

### **Usage convenience**

- Design co-ordinated control dials, front: easily access dials in front with strong grip for effortless turning.
- Ignition via control dials: just push and turn the dials to ignite the flame.

### **Burners and power**

- 4 gas burners:
- Left front: standard burner up to 1.75 KW (depending on gas type)
- Left rear: Standard burner up to 1.75 KW (depending on gas type)
- Right rear: high-speed burner up to 3 KW (depending on gas type)
- Right front: economy burner up to 1 KW (depending on gas type)

### **Cleaning**

- Dishwasher suitable pan supports for easy cleaning.

### **Safety**

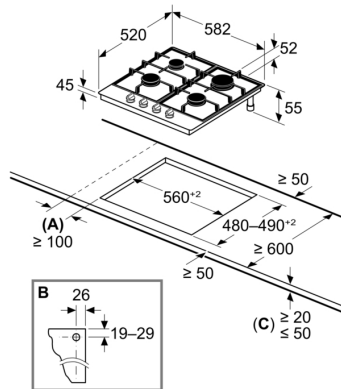
- Flame failure safety device: prevents unwanted gas flow when flame goes out.

### **Installation (gas types & measurements)**

- Usable for: NG H/E 20mbar, E+ 20/25mbar
- Liquid gas G30,31 28-30/37mbar
- Pre-set for natural gas
- Nozzle set for LPG jets included. Connection to 28-30/37 mbar bottled gas. Nozzles for all other gas types can be ordered via the customer service. For nozzle change, please contact the customer service.
- Dimensions of the product (HxWxD mm): 51.1 x 582 x 520
- Required niche size for installation (HxWxD mm) : 45 x 560 x (480 - 490)
- Min. worktop thickness: 20 mm
- Power cord: 1 m
- Connected load: 7.5 KW

## Series 4, Gas hob, 60 cm, Stainless steel PGP6B5K90

Measurements in mm



**A:** Min. distance from the hob cut-out to the wall

**B:** Position of gas connection in the cut-out

**C:** With fitted oven underneath possibly more; see space requirements for the oven

For worktop thickness between 12 mm to 20 mm need additional spacer, contact customer service for details