

**Serie | 2, Electric hob, 60 cm,
Stainless steel
PEE689CA1**



The 60cm hob: offers you four sturdy and powerful cast-iron cooking plates.

- Low profile stainless steel cooking surface is easily accessible and quick to clean.

Technical Data

Product name/family :	Cooking zone sealed hotplates
Construction type :	Built-in
Energy input :	Electric
Total number of positions that can be used at the same time :	4
Type of control setting devices :	Sword knobs
Required niche size for installation (HxWxD) :	45 x 560-560 x 490-490
Width of the appliance :	580
Dimensions :	45 x 580 x 510
Dimensions of the packed product (HxWxD) (mm) :	112 x 655 x 578
Net weight (kg) :	9.937
Gross weight (kg) :	10.6
Residual heat indicator :	without
Location of control panel :	right
Basic surface material :	Stainless steel
Color of surface :	Stainless steel
Approval certificates :	AENOR, CE
Length of electrical supply cord (cm) :	100
EAN code :	4242002938189
Electrical connection rating (W) :	7000
Current (A) :	25
Voltage (V) :	230
Frequency (Hz) :	50



4 242002 938189

Serie | 2, Electric hob, 60 cm, Stainless steel PEE689CA1

The 60cm hob: offers you four sturdy and powerful cast-iron cooking plates.

Design

- Chrome nickel steel 18/10, glatt

Special features

- Front mounted controls
- 4 infinitely variable high-speed cooking zones

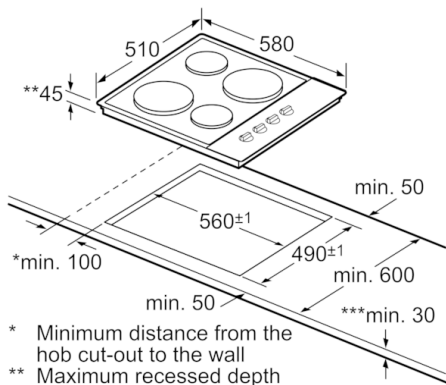
Safety Features

- Power on indicator light

Technical information

- Appliance dimensions: (W/D) 580 mm x 510 mm
- Installation dimensions: (ID/W/D) 45 mm x 560 mm x 490 mm
- Min. worktop thickness: 30 mm
- Total connected load: 7000 W
- Cooking zones: 1 x Ø 180 mm, 2 KW; 1 x Ø 145 mm, 1.5 KW; 1 x Ø 145 mm, 1.5 KW; 1 x Ø 145 mm, 1.5 KW

**Serie | 2, Electric hob, 60 cm, Stainless steel
PEE689CA1**



- * Minimum distance from the hob cut-out to the wall
- ** Maximum recessed depth
- *** With fitted oven underneath, possibly more; see space requirements for the oven measurements in mm