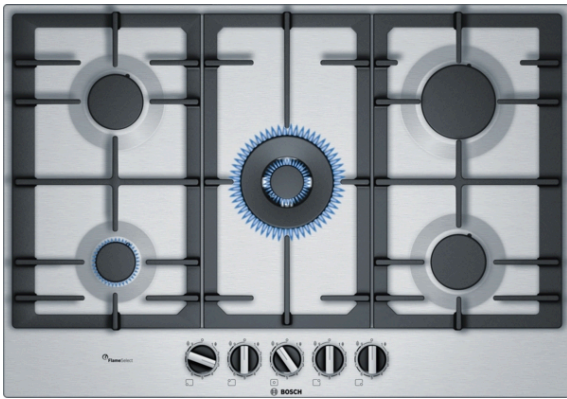


**Series 6, Gas hob, 75 cm, Stainless steel
PCQ7A5B90**



**The stainless-steel gas hob with
FlameSelect: achieve perfect cooking
results thanks to nine precisely defined
power levels.**

- **FlameSelect:** adjust the gas flame precisely using nine defined levels.
- **Wok burner:** powerful cooking at up to 4 kW.
- **Continuous cast-iron pan support:** for high firmness and stability of cookware.
- **Biomethane-ready:** your gas hob can also be powered with renewable biomethane gas.
- Ergonomic control knobs with raised center for precise adjustments.

Technical Data

Product name/family : gas hob w integrated controls

Construction type : Built-in

Energy input : Gas

Total number of positions that can be used at the same time : 5

Type of control setting devices : sword knobs

Min. required niche size for installation (HxWxD) : 45 x 560-562 x 480-492 mm

Width of the appliance : 750 mm

Dimensions of the packed product (HxWxD) : 145 x 793 x 597 mm

Net weight : 13.8 kg

Gross weight : 15.3 kg

Residual heat indicator : without

Location of control panel : Hob front

Basic surface material : Stainless steel

Color of surface : Stainless steel

Length of electrical supply cord : 100.0 cm

EAN code : 4242002837482

Gas connection rating : 11500 W

Fuse protection : 3 A

Voltage : 220-240 V

Frequency : 50; 60 Hz



Series 6, Gas hob, 75 cm, Stainless steel PCQ7A5B90

**The stainless-steel gas hob with
FlameSelect: achieve perfect cooking results
thanks to nine precisely defined power
levels.**

Design

- Stainless steel surface
- Cast iron pan supports

Usage convenience

- FlameSelect: precisely control and adjust the flame in nine defined levels.
- Design co-ordinated control dials: easily access dials in front with strong grip for effortless turning.
- Ignition via control dials: just push and turn the dials to ignite the flame.

Burners and power

- 5 gas burners:
- Left front: economy burner up to 1 kW (depending on gas type)
- Left rear: Standard burner up to 1.75 KW (depending on gas type)
- Center front: wok burner up to 4 KW (depending on gas type)
- Right rear: high-speed burner up to 3 KW (depending on gas type)
- Right front: standard burner up to 1.75 KW (depending on gas type)

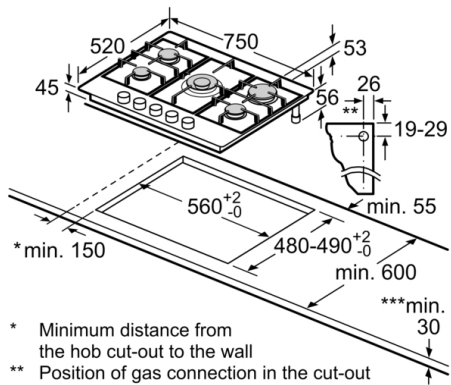
Safety

- Flame failure safety device: prevents unwanted gas flow when flame goes out.

Installation (gas types & measurements)

- Usable for: Nat gas L/LL G25/20mbar(DE)
NG H/E 20mbar, E+ 20/25mbar Natural gas H 25 mbar (HU)
Natural gas L 25 mbar (NL) Liquid gas G30,31 28-30/37mbar
Liquid gas G30 37 mbar (PL) Liquid gas 50 mbar
- Pre-set for natural gas
- Nozzle set for LPG jets included. Connection to 28-30/37 mbar bottled gas. Nozzles for all other gas types can be ordered via the customer service. For nozzle change, please contact the customer service.
- Dimensions of the product (HxWxD mm): 53 x 750 x 520
- Required niche size for installation (HxWxD mm) : 45 x 560 x (480 - 492)
- Min. worktop thickness: 30 mm
- Power cord: 1 m
- Connected load: 11.5 KW

**Series 6, Gas hob, 75 cm, Stainless steel
PCQ7A5B90**



- * Minimum distance from the hob cut-out to the wall
 - ** Position of gas connection in the cut-out
 - *** With fitted oven underneath, possibly more; see space requirements for the oven
- measurements in mm