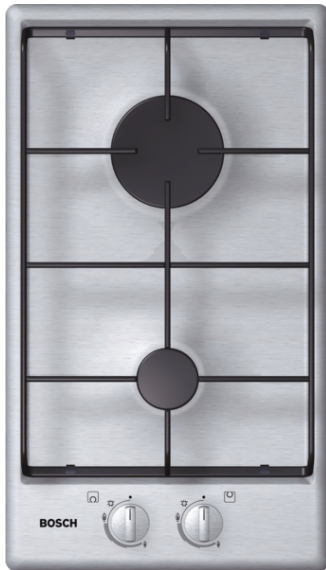


PCD345DGB



Technical Data

Product name/family :	Vario/Domino gas hob w control
Built-in / Free-standing :	CONSTR_TYPE.Built-in
Energy input :	Gas
Required niche size for installation (HxWxD) :	32 x 268 x 490
Width of the product (mm) :	288
Dimensions of the product (mm) :	32 x 288 x 505
Dimensions of the packed product (HxWxD) (mm) :	140 x 360 x 580
Net weight (kg) :	4.252
Gross weight (kg) :	5.0
Residual heat indicator :	without
Location of control panel :	Hob front
Basic surface material :	Stainless steel
Color of surface :	Stainless steel
Color of frame :	Stainless steel
Length of electrical supply cord (cm) :	100
EAN code :	4242002325453
Electrical connection rating (W) :	0
Gas connection rating (W) :	4000
Current (A) :	3
Voltage (V) :	230
Frequency (Hz) :	50

Optional accessories

NEZ34VLA : Domino hob connecting link

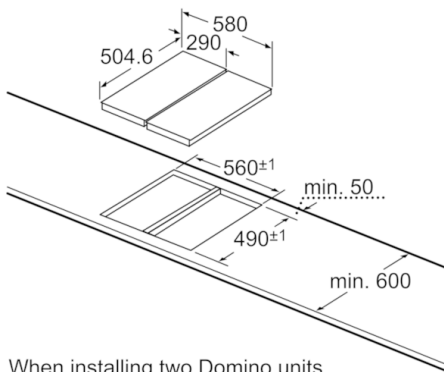
NEZ34VLB : Domino hob connecting link



PCD345DGB

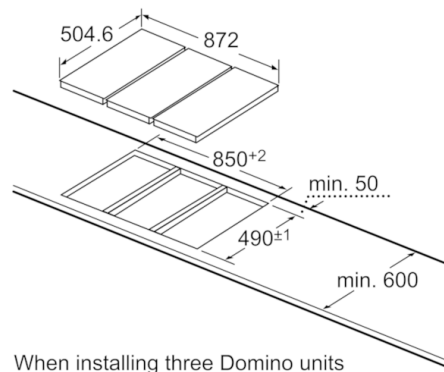
- 1 handed ignition via controls knobs
- Flame failure safety device
- Steel pan supports with rubber feet
- Stainless steel-effect fixed controls
- Connecting cable 1m
- 2 gas burners
- Preset of natural gas (20mbar)

PCD345DGB



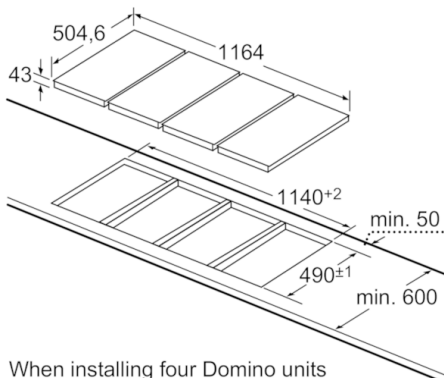
When installing two Domino units directly next to a hob, an assembly kit (NEZ 34VLA) is required.

Maße in mm



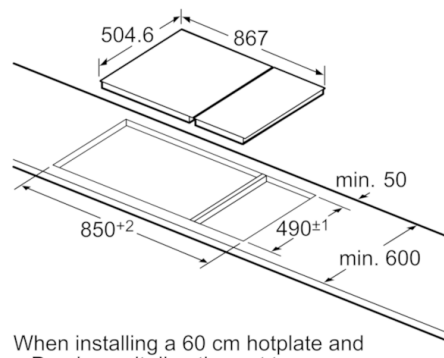
When installing three Domino units directly next to a hob, two assembly kits (NEZ 34VLA) are required.

Maße in mm



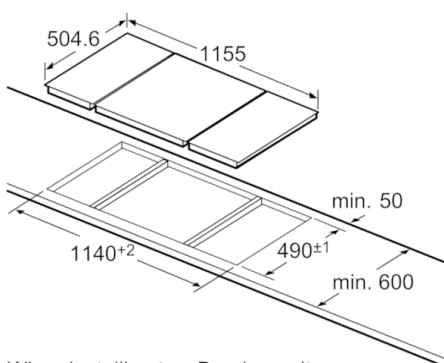
When installing four Domino units directly next to one another, three assembly kits (NEZ 34VLA) are required.

Maße in mm



When installing a 60 cm hotplate and a Domino unit directly next to one another, an assembly kit is required.

measurements in mm



When installing two Domino units directly next to a hob, two assembly kits are required.

measurements in mm